

## Contents

|  |    |
|--|----|
| How To Use The Illustrated Parts List .....                      | 4  |
| Locating Transmission Tag and Identifying Model Designation..... | 5  |
| Using Model Designation or Nomenclature .....                    | 5  |
| AUXILIARY DRIVE GEAR.....  | 6  |
| CASE (AUX) .....   | 7  |
| CASE (FRONT) .....   | 8  |
| CASE (FRONT) FORCED LUBE .....                                   | 10 |
| CONTROLLER ECU & HARNESS .....                                   | 12 |
| COUNTERSHAFT & BRGS(AUX) .....                                   | 13 |
| COUNTERSHAFT ASSY .....  | 14 |
| FILTER REGULATOR .....   | 15 |
| INERTIA BRAKE .....  | 16 |
| INPUT SHAFT & DRIVE GEAR .....                                   | 17 |
| INTEGRAL PUMP & COOLER.....                                      | 18 |
| INTEGRAL OIL PUMP .....  | 18 |
| INTEGRAL PUMP & COOLER.....                                      | 20 |
| OIL COOLER .....   | 20 |
| KITS & ASSEMBLIES .....  | 21 |
| MAINSHAFT & SYNCHRO(AUX) .....                                   | 22 |
| MAINSHAFT ASSY .....   | 23 |
| MISCELLANEOUS .....  | 24 |
| RANGE CYLINDER .....   | 25 |
| REVERSE IDLER .....  | 26 |
| SHIFT BAR HOUSING .....  | 27 |
| SHIFT CONTROLS .....   | 29 |
| GEAR DISPLAY MODULE.....   | 29 |
| SHIFT CONTROLS .....   | 30 |
| SHIFT CONTROLS.....  | 30 |
| X-Y SHIFTER MODULE.....  | 31 |
| Appendix.....  | 32 |

## How To Use The Illustrated Parts List

### Using Model Designation or Nomenclature

- This information provides a guideline to assist you in identifying the transmission designation assigned to a transmission model - information vital to identifying and ordering parts.

### Kits and Assemblies (K/A's)

- Kits and Assemblies contain groups of individual or assembled parts developed for optimal replacement or repair of a service problem.
- Kits and Assemblies are shown with applicable parts groupings in the parts listings.

### Identifying Kits and Assemblies

A- Part numbers beginning with the letter 'A' are pre-assembled Production Assemblies

K- Part numbers beginning with the letter 'K' are kits that are not assembled

S- Part numbers beginning with the letter 'S' are pre-assembled Service Assemblies

- Note: Some Production Assemblies do not begin with a letter prefix (Midrange only).

### Illustrations

- Illustrations show parts in assembly groups.
- Item numbers on illustrations correspond with parts listings on pages adjacent to the illustration.
- Notes are included on illustrations where additional information is needed.

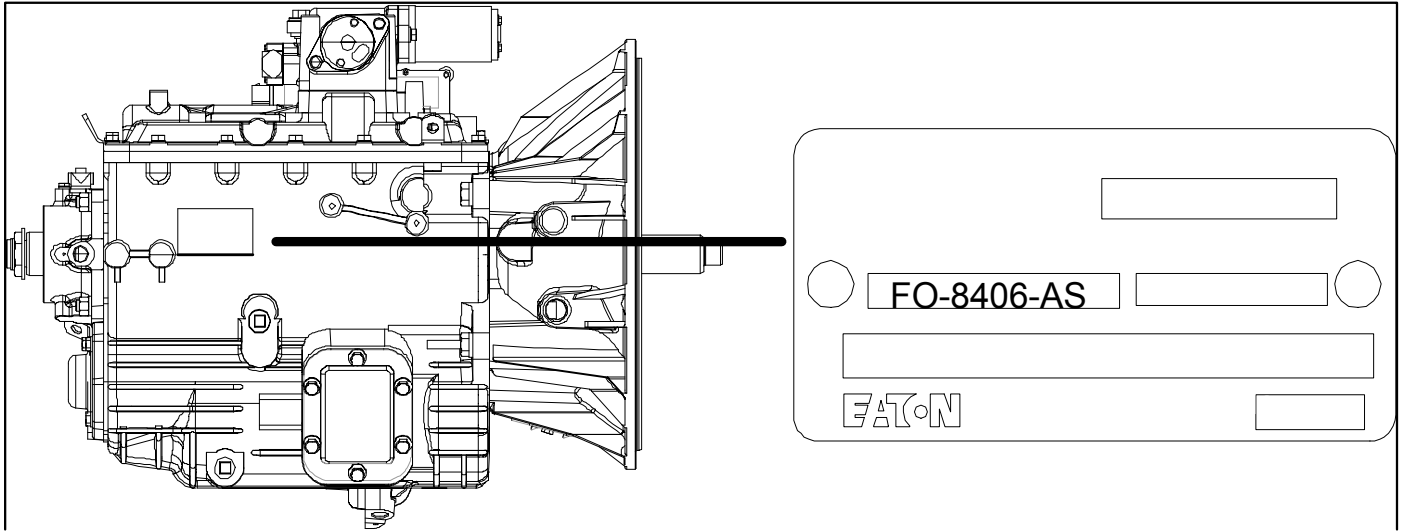
### Parts Listing

Parts listings are defined by parts groupings and are broken down by service assemblies. Parts listings identify a part for servicing with the following categories

- **Item Number** - corresponding with numbers on illustrations for part identification.
- **Current Part** - identifies part as it is available for service.
- **Description** - specifies part name or description.
- **Replaced Part** - quantity quantity required for assembly.
- **Quantity** - defines unique characteristics or requirements.
- **Notes** - indicates Kits or Assemblies that contain a particular part.
- **Kits/Assy's Where Used**

## Locating Transmission Tag and Identifying Model Designation

Transmission model designation, and other transmission information, are stamped on the transmission tag. To identify the transmission model designation (nomenclature), locate the tag on the transmission and then locate the model designation number as shown.

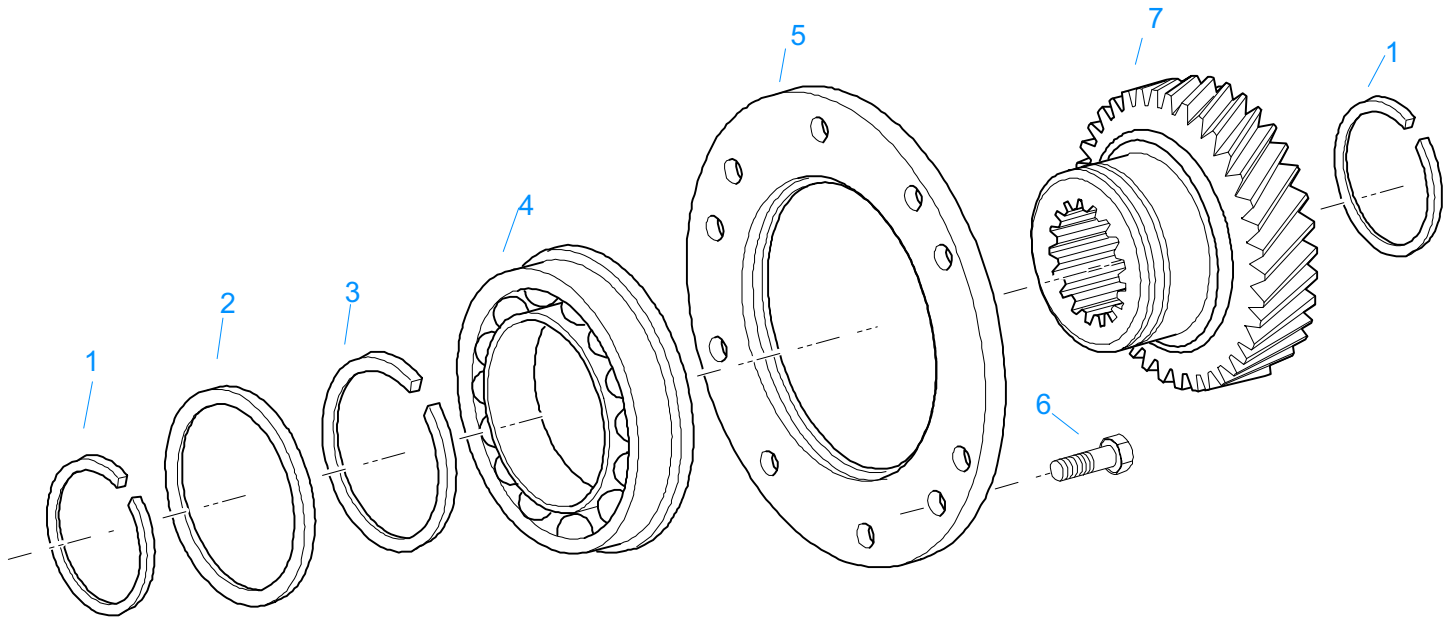


## Using Model Designation or Nomenclature

The model designation or nomenclature assigned to a transmission model provides information concerning transmission torque capacity, forward speeds, ratio set, shift bar housing and other provisions and options. Use the following guidelines to identify your transmission model designation. This information is useful when ordering parts.

Every effort has been made to ensure the accuracy of this publication. However, Eaton Corporation makes no expressed or implied warranty or representation based on the information contained in this publication. Any errors or omissions may be reported to Eaton Roadranger Parts Marketing, Eaton Corporation, P.O. Box 4013, Kalamazoo, MI 49003.  
Copyright Eaton Corporation, 2005 All rights reserved.

Group: AUXILIARY DRIVE GEAR

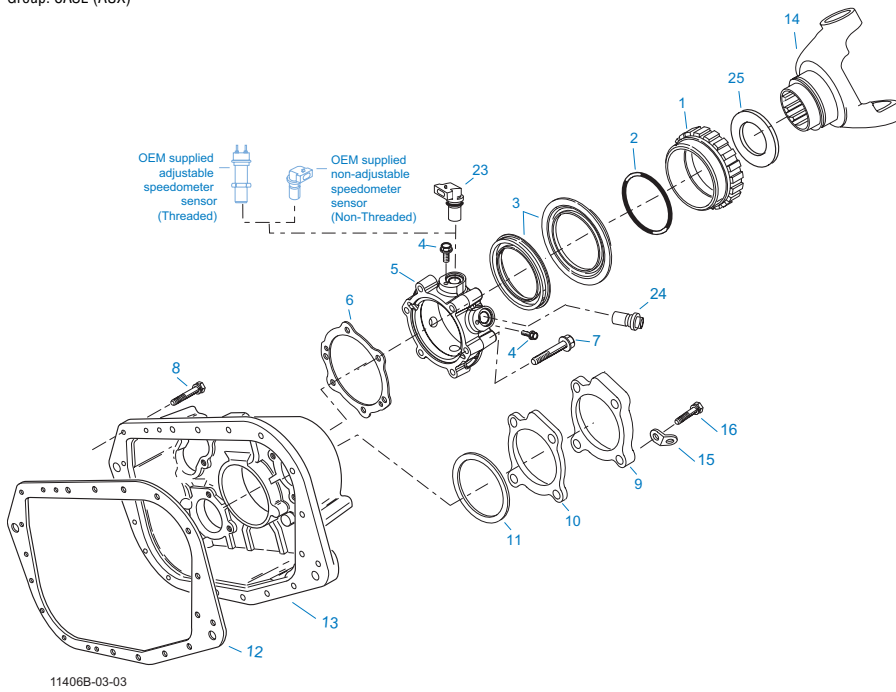


10480-12/92 Aux DG

**AUXILIARY DRIVE GEAR**

| Item | Current Part | Description          | Replaced Part | Qty. | Notes      | Kits/Assys Where Needed |
|------|--------------|----------------------|---------------|------|------------|-------------------------|
| 1    | 16763        | SNAP RING            |               | 2    |            | K-3519 ,K-3522          |
| 2    | 21320        | SNAP RING RETAINER   |               | 1    |            | K-3519 ,K-3522          |
| 3    | 16628        | SNAP RING            |               | 1    |            |                         |
| 4    | 5566507      | BEARING              | 5566504       | 1    |            | K-3519 ,K-3522          |
| 5    | 16138        | BEARING RETAINER     |               | 1    |            |                         |
| 6    | X-8-645      | CAPSCREW             | X 8 612       | 6    | 3/8"-16X1" |                         |
| 7    | 23159        | AUXILIARY DRIVE GEAR | 21321         | 1    |            |                         |

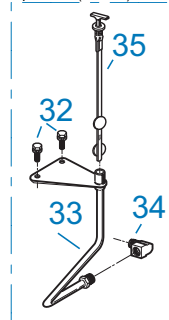
Group: CASE (AUX)



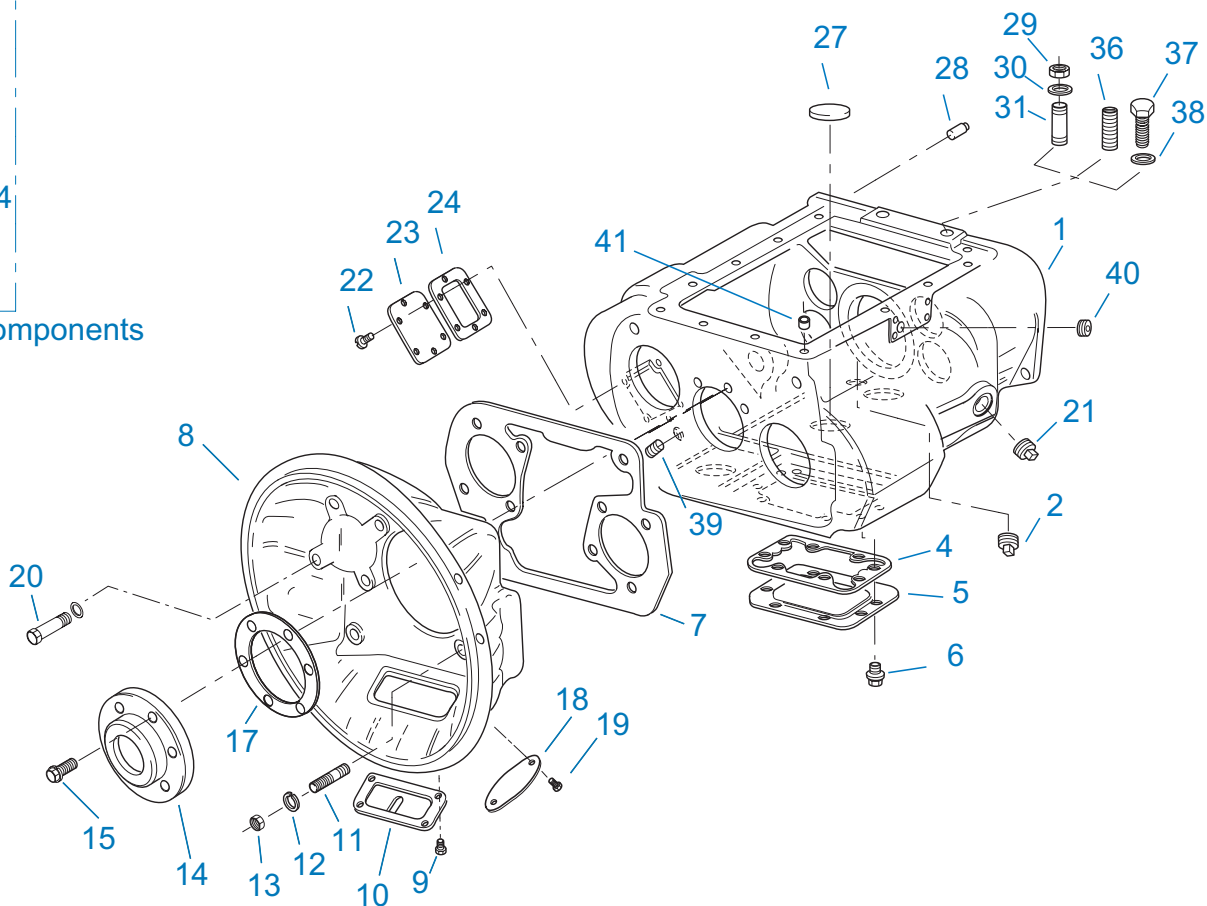
**CASE (AUX)**

| Item | Current Part | Description             | Replaced Part      | Qty. | Notes                  | Kits/Assys Where Needed        |
|------|--------------|-------------------------|--------------------|------|------------------------|--------------------------------|
| 1    | S-2501       | SPEEDO ROTOR ASSY       | 4302242            | 1    | MAGNETIC               |                                |
| 2    | 5568511      | -O- RING                |                    | 1    |                        | K-2918 ,S-2501 ,S-2913 ,S-2956 |
| 3    | K-2918       | OIL SEAL KIT            | 4302322 4302323    | 1    | MAGNETIC SPEEDO        | K-3519 ,K-3522                 |
| 4    | X-8-0801M    | CAPSCREW                |                    | 3    | M8 X 1.25 X 12MM       | K-3231 ,K-3523 ,S-2913         |
| 5    | S-2913       | REAR BEARING COVER ASSY | 691637 ,4304651    | 1    |                        |                                |
| 6    | 4302247      | GASKET                  |                    | 1    |                        | K-2918 ,K-3518 ,S-2913         |
| 7    | X-8L-614     | CAPSCREW                |                    | 2    | 3/8"-16X2"             |                                |
| 7    | X-8L-611     | CAPSCREW                |                    | 4    | 3/8"-16X3-1/4"         | S-2913                         |
| 8    | X-8L-602     | CAPSCREW                |                    | 16   | 3/8"-16X1-1/2"         |                                |
| 8    | X-8L-614     | CAPSCREW                |                    | 2    | 3/8"-16X2"             |                                |
| 8    | X-8L-616     | CAPSCREW                | X 8 616            | 1    | 3/8"-16X2-3/4"         |                                |
| 9    | 4302320      | COVER                   | 21346              | 2    |                        | S-2956                         |
| 10   | 4302246      | GASKET                  | 21345              | 2    |                        | K-3518 ,S-2956                 |
| 11   | K-2805       | SHIM KIT                | 21452 K - 2106     | 1    |                        | K-3519 ,K-3522 ,S-2956         |
| 12   | 14335        | GASKET                  |                    | 1    |                        | K-3518 ,S-2956                 |
| 13   | 4305046      | REAR HOUSING            |                    | 1    |                        |                                |
| 14   | 5505543      | YOKE-1710 HALF ROUND    |                    | 1    |                        |                                |
| 15   | 20815        | LIFTING EYE             | 17105              | 2    |                        | S-2956                         |
| 16   | X-8L-600     | CAPSCREW                |                    | 8    | 3/8"-16X1"             | S-2956                         |
| 23   | K-3231       | SPEED SENSOR KIT        | A - 6398 ,A - 6724 | 1    | SINGLE PICK-UP (2 PIN) |                                |
| 24   | K-3523       | SPEEDO PLUG KIT         | 4302707            | 2    |                        |                                |
| 25   | 4304653      | SLINGER                 |                    | 1    |                        | S-2913                         |

Group: CASE (FRONT)



Dipstick components



10305C-03-03

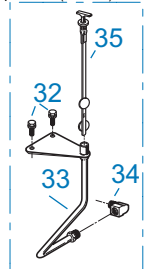
**CASE (FRONT)**

| Item | Current Part | Description              | Replaced Part                      | Qty. | Notes                                  | Kits/Assys Where Needed |
|------|--------------|--------------------------|------------------------------------|------|--|-------------------------|
| 1    | S-2075       | CASE ASSY                | 4302218                            | 1    | FOR USE W/INTEGRAL PUMP                |                         |
| 2    | X-12-1207    | PIPE PLUG                | X12 1202 ,X12 1206                 | 1    | 3/4" MAGNETIC                          |                         |
| 4    | 4305310      | GASKET                   | 4302810                            | 1    |  | K-3518 ,K-3637 ,K-3644  |
| 5    | 4302809      | PTO COVER                | 16596 ,4300571                     | 1    |  |                         |
| 6    | X-8-725      | CAPSCREW                 | X 8 724                            | 8    | 7/16"-14X7/8"                          |                         |
| 7    | 4305668      | GASKET                   | 4304815                            | 1    |  | K-3518 ,K-3678          |
| 8    | 4305059      | CLUTCH HOUSING           |                                    | 1    |  |                         |
| 9    | X-8-1200M    | CAPSCREW                 |                                    | 4    | M12 X 1.75 X 20MM                      | K-3643                  |
| 10   | K-3643       | CLUTCH HOUSING COVER KIT | 691954                             | 1    |  |                         |
| 11   | 4302708      | STUD                     | 5966                               | 6    |  |                         |
| 12   | X-10-1005    | WASHER                   | X 3 1000 ,X10 1000 ,X10 1004       | 6    | 1.23 X 6.60                            |                         |
| 13   | X-1-1005     | NUT                      | X 1 1000                           | 6    | 5/8"-18                                |                         |
| 14   | 20550        | FRONT BRG COVER          |                                    | 1    | 2" PULL                                |                         |
| 15   | X-8L-604     | CAPSCREW                 |                                    | 6    | 3/8"-16X1-1/4"                         |                         |
| 17   | 14311        | GASKET                   |                                    | 1    |  | K-3518                  |
| 18   | 4303692      | HAND HOLE COVER          |                                    | 1    |  |                         |
| 19   | X-8-423      | CAPSCREW                 |                                    | 2    | 1/4"-20X1/2"                           | S-2905                  |
| 20   | X-8C-826     | CAPSCREW                 | 126243 X 8 809 ,X 8L 809 ,X 8L 826 | 4    | 1/2-13 X 1-7/16 - FOR ALUMINUM HOUSING | K-3678                  |
| 21   | 4304023      | PLUG                     | 4303747                            | 1    | 1-1/16" MAGNETIC, O-RING INCLUDED      | S-2075 ,S-2995          |
| 22   | X-8-686      | CAPSCREW                 |                                    | 6    | 3/8"-16X3/4"                           |                         |
| 23   | 14575        | PTO COVER                | 4302254                            | 1    |  |                         |
| 24   | 4305309      | GASKET                   | 1684                               | 1    |  | K-3518 ,K-3637 ,K-3644  |
| 27   | 14373        | MAGNET                   |                                    | 3    |  | S-2075 ,S-2995          |
| 28   | 18128        | PIN                      |                                    | 2    |  |                         |
| 29   | X-1-1005     | NUT                      | X 1 1000                           | 2    | 5/8"-18                                |                         |

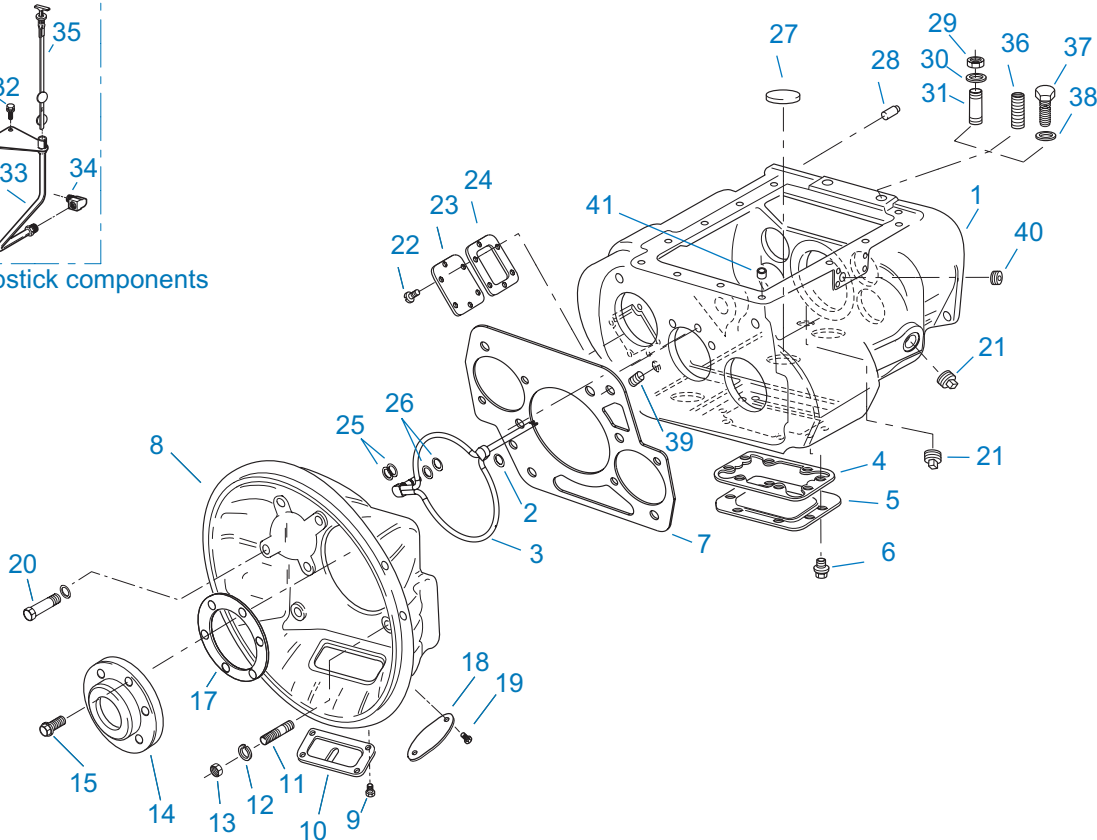
## RTO-16910B-DM2

| Item | Current Part | Description | Replaced Part                | Qty. | Notes          | Kits/Assys Where Needed |
|------|--------------|-------------|------------------------------|------|----------------|-------------------------|
| 30   | X-10-1005    | WASHER      | X 3 1000 ,X10 1000 ,X10 1004 | 2    | 1.23 X 6.60    |                         |
| 31   | 14554        | STUD        | 1632 ,6579                   | 2    | 5/8" X 2-3/16" |                         |
| 32   | X-8L-602     | CAPSCREW    |                              | 2    | 3/8"-16X1-1/2" |                         |
| 33   | 20867        | TUBE        |                              | 1    |                |                         |
| 34   | 20484        | ELBOW       |                              | 1    |                |                         |
| 35   | 20866        | DIPSTICK    |                              | 1    |                |                         |
| 36   | 23104        | PLUG        | 1712                         | 2    |                |                         |
| 37   | X-8-1005     | CAPSCREW    |                              | 2    | 5/8"-11X1-1/4" |                         |
| 38   | 20814        | SPACER      |                              | 2    |                |                         |
| 39   | X-12-802     | PIPE PLUG   | X12 800                      | 1    | 1/2"           |                         |
| 40   | X-12-1207    | PIPE PLUG   | X12 1202 ,X12 1206           | 1    | 3/4" MAGNETIC  |                         |
| 41   | 691447       | PIN         |                              | 1    |                | S-2075 ,S-2995          |

Group: CASE (FRONT) FORCED LUBE



Dipstick components



10305E-08-04

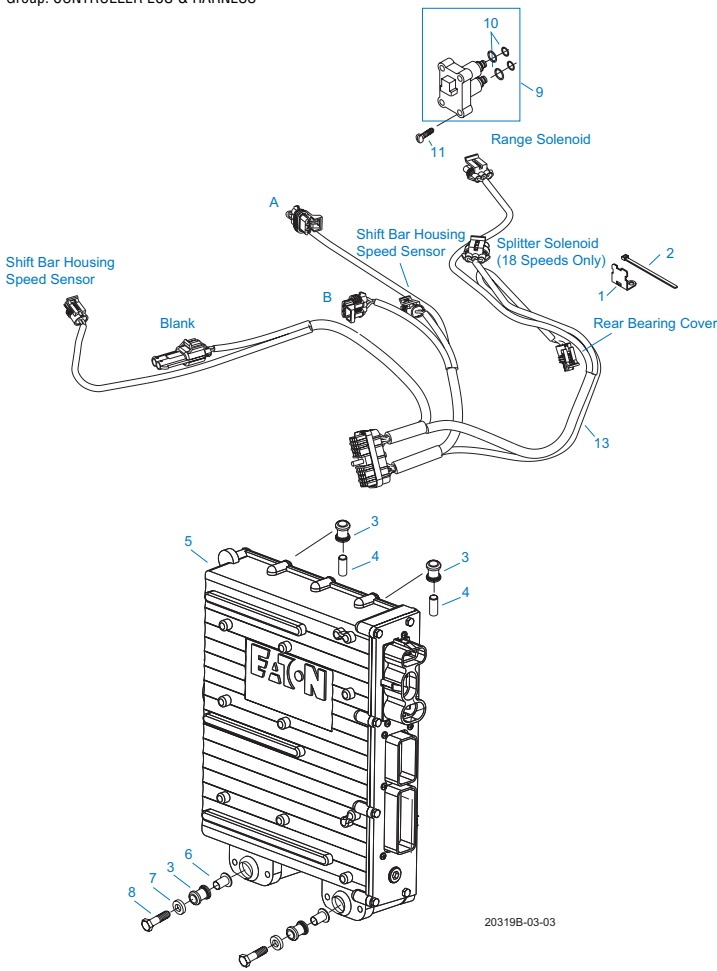
**CASE (FRONT) FORCED LUBE**

| Item | Current Part | Description              | Replaced Part                      | Qty. | Notes                             | Kits/Assys Where Needed |
|------|--------------|--------------------------|------------------------------------|------|-----------------------------------|-------------------------|
| 1    | S-2995       | CASE ASSY                | 4305765                            | 1    |                                   |                         |
| 2    | 5568544      | -O- RING                 |                                    | 1    |                                   | A-7471                  |
| 3    | A-7471       | EXTENDED LUBE TUBE ASSY  | 4305393                            | 1    |                                   |                         |
| 4    | 4305310      | GASKET                   | 4302810                            | 1    |                                   | K-3518 ,K-3637 ,K-3644  |
| 5    | 4302809      | PTO COVER                | 16596 ,4300571                     | 1    |                                   |                         |
| 6    | X-8-725      | CAPSCREW                 | X 8 724                            | 8    | 7/16"-14X7/8"                     |                         |
| 7    | 4305668      | GASKET                   | 4304815                            | 1    |                                   | K-3518 ,K-3678          |
| 8    | K-3678       | FORCED LUBE CL HSG KIT   | 4304328                            | 1    | #1 PULL ALUMINUM                  |                         |
| 9    | X-8-1200M    | CAPSCREW                 |                                    | 4    | M12 X 1.75 X 20MM                 | K-3643                  |
| 10   | K-3643       | CLUTCH HOUSING COVER KIT | 691954                             | 1    |                                   |                         |
| 11   | 4302708      | STUD                     | 5966                               | 6    |                                   |                         |
| 12   | X-10-1005    | WASHER                   | X 3 1000 ,X10 1000 ,X10 1004       | 6    | 1.23 X 6.60                       |                         |
| 13   | X-1-1005     | NUT                      | X 1 1000                           | 6    | 5/8"-18                           |                         |
| 14   | 20550        | FRONT BRG COVER          |                                    | 1    | 2" PULL                           |                         |
| 15   | X-8L-604     | CAPSCREW                 |                                    | 6    | 3/8"-16X1-1/4"                    |                         |
| 17   | 14311        | GASKET                   |                                    | 1    |                                   | K-3518                  |
| 18   | 4303692      | HAND HOLE COVER          |                                    | 1    |                                   |                         |
| 19   | X-8-423      | CAPSCREW                 |                                    | 2    | 1/4"-20X1/2"                      | S-2905                  |
| 20   | X-8C-826     | CAPSCREW                 | 126243 X 8 809 ,X 8L 809 ,X 8L 826 | 6    | 1/2-13 X 1-7/16                   | K-3678                  |
| 21   | 4304023      | PLUG                     | 4303747                            | 1    | 1-1/16" MAGNETIC, O-RING INCLUDED | S-2075 ,S-2995          |
| 22   | X-8-686      | CAPSCREW                 |                                    | 6    | 3/8"-16X3/4"                      |                         |
| 23   | 14575        | PTO COVER                | 4302254                            | 1    |                                   |                         |
| 24   | 4305309      | GASKET                   | 1684                               | 1    |                                   | K-3518 ,K-3637 ,K-3644  |
| 25   | 13835        | -O- RING                 |                                    | 2    |                                   | A-7471                  |
| 26   | 13653        | -O- RING                 |                                    | 2    |                                   | A-7471 ,K-2908          |

## RTO-16910B-DM2

| Item | Current Part | Description | Replaced Part                | Qty. | Notes          | Kits/Assys Where Needed |
|------|--------------|-------------|------------------------------|------|----------------|-------------------------|
| 27   | 14373        | MAGNET      |                              | 3    |                | S-2075 ,S-2995          |
| 28   | 18128        | PIN         |                              | 2    |                |                         |
| 29   | X-1-1005     | NUT         | X 1 1000                     | 2    | 5/8"-18        |                         |
| 30   | X-10-1005    | WASHER      | X 3 1000 ,X10 1000 ,X10 1004 | 2    | 1.23 X 6.60    |                         |
| 31   | 14554        | STUD        | 1632 ,6579                   | 2    | 5/8" X 2-3/16" |                         |
| 32   | X-8L-602     | CAPSCREW    |                              | 2    | 3/8"-16X1-1/2" |                         |
| 33   | 20867        | TUBE        |                              | 1    |                |                         |
| 34   | 20484        | ELBOW       |                              | 1    |                |                         |
| 35   | 20866        | DIPSTICK    |                              | 1    |                |                         |
| 36   | 23104        | PLUG        | 1712                         | 2    |                |                         |
| 37   | X-8-1005     | CAPSCREW    |                              | 2    | 5/8"-11X1-1/4" |                         |
| 38   | 20814        | SPACER      |                              | 2    |                |                         |
| 39   | X-12-802     | PIPE PLUG   | X12 800                      | 1    | 1/2"           |                         |
| 40   | X-12-1207    | PIPE PLUG   | X12 1202 ,X12 1206           | 1    | 3/4" MAGNETIC  |                         |
| 41   | 691447       | PIN         |                              | 1    |                | S-2075 ,S-2995          |

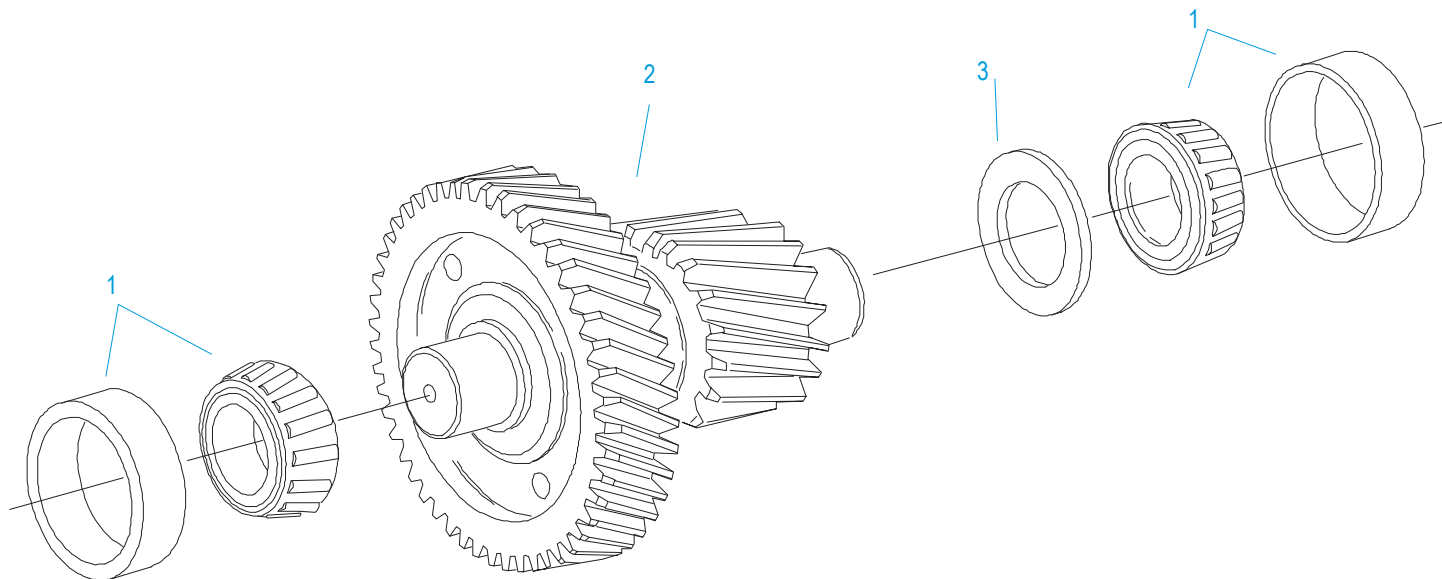
Group: CONTROLLER ECU & HARNESS



**CONTROLLER ECU & HARNESS**

| Item | Current Part | Description              | Replaced Part              | Qty. | Notes              | Kits/Assys Where Needed |
|------|--------------|--------------------------|----------------------------|------|--------------------|-------------------------|
| 1    | 4301302      | BRACKET                  |                            | 3    |                    |                         |
| 2    | 5559348      | TY-RAP                   |                            | 8    |                    | K-3527 ,K-3682          |
| 3    | 4301367      | MOUNTING PAD             |                            | 4    |                    | K-3639                  |
| 4    | 4301378      | DOWEL PIN                |                            | 2    |                    | S-2905                  |
| 5    | K-3639       | TRANS CONTROLLER KIT     |                            | 1    |                    |                         |
| 6    | 4301369      | SLEEVE                   |                            | 2    |                    | K-3639                  |
| 7    | 4302114      | WASHER                   |                            | 2    |                    |                         |
| 8    | X-8-552      | SCREW                    |                            | 2    | 5/16"-18X1-1/2"    |                         |
| 9    | K-3682       | RANGE VALVE KIT          | 5561801 ,5561804 ,K - 2907 | 1    |                    |                         |
| 10   | K-2908       | -O- RING KIT             |                            | 1    | FOR SOLENOID VALVE |                         |
| 11   | X-8-264      | HEX FLANGE HEAD SCREW    | X 8 259                    | 4    | #10-24 X 1 1/4     | K-3682                  |
| 13   | K-3527       | TRANSMISSION HARNESS KIT | 691664                     | 1    |                    |                         |

Group: COUNTERSHAFT & BRGS(AUX)

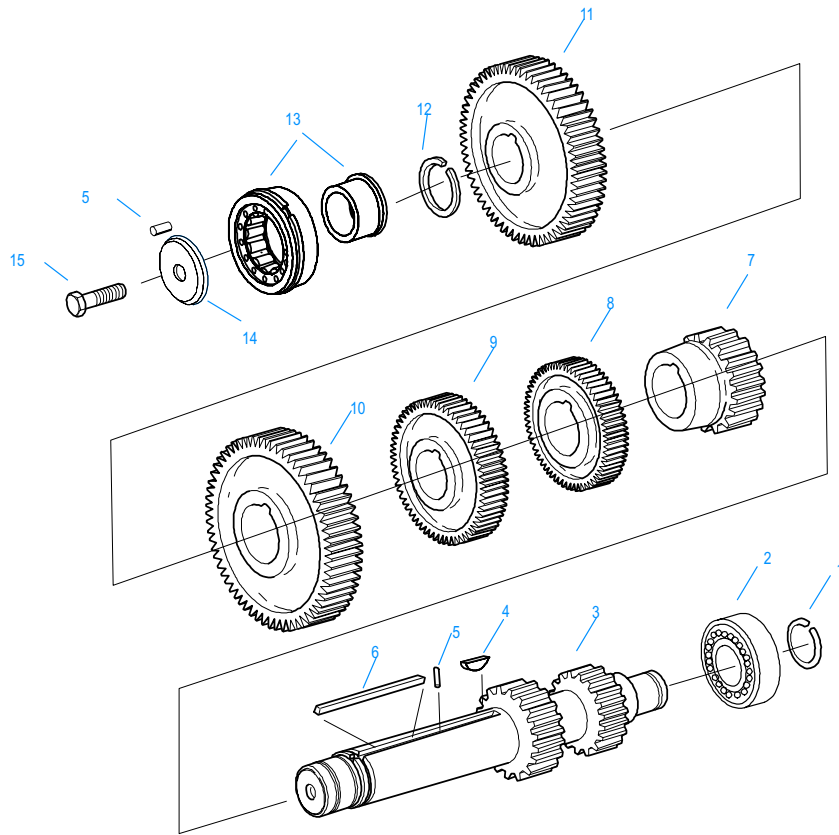


10440-1/92 Aux CS Helical

**COUNTERSHAFT & BRGS(AUX)**

| Item | Current Part | Description              | Replaced Part | Qty. | Notes                   | Kits/Assys Where Needed |
|------|--------------|--------------------------|---------------|------|-------------------------|-------------------------|
| 1    | 4302074      | BEARING                  | 21343         | 4    |                         | K-3519 ,K-3522 ,S-2956  |
| 2    | A-6338       | WELDED COUNTERSHAFT ASSY | A - 5626      | 2    | C/S 4302093 - D/G 23160 |                         |
| 3    | 22903        | SPACER                   |               | 2    |                         |                         |

Group: COUNTERSHAFT ASSY

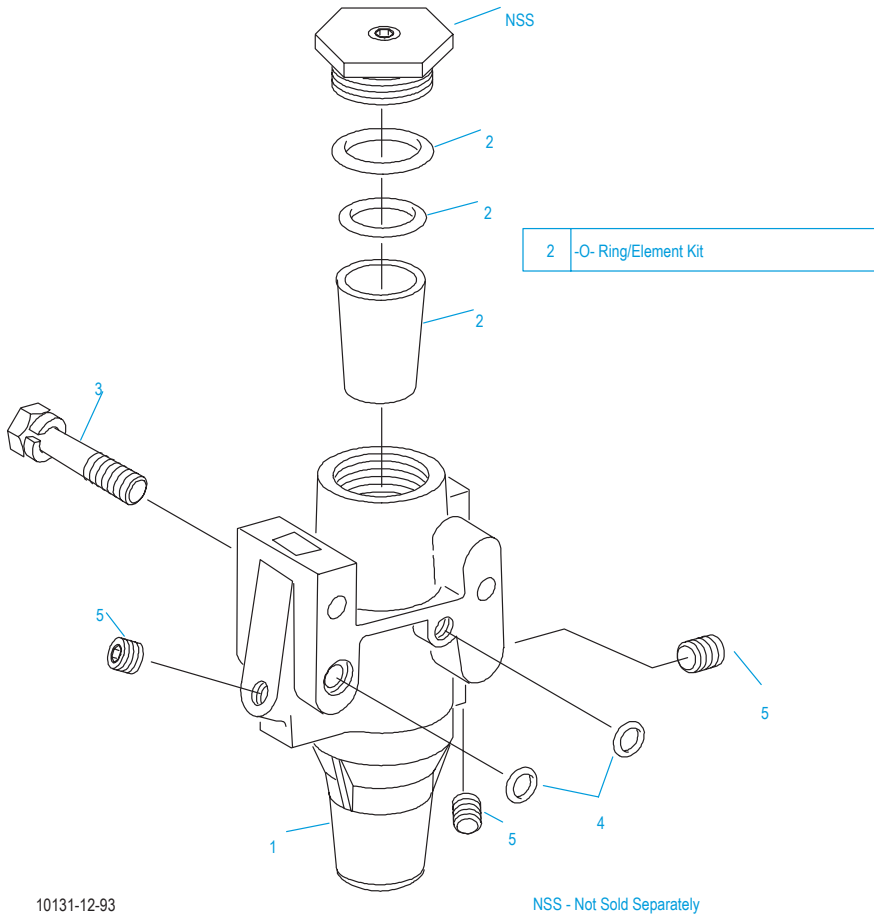


10341-1/92 CS/RT

**COUNTERSHAFT ASSY**

| Item | Current Part | Description          | Replaced Part                | Qty. | Notes                       | Kits/Assys Where Needed |
|------|--------------|----------------------|------------------------------|------|-----------------------------|-------------------------|
| 1    | 14317        | SNAP RING            |                              | 2    |                             | K-3519 ,K-3522          |
| 2    | 14366        | BEARING              |                              | 2    |                             | K-3519 ,K-3522          |
| 3    | 4303621      | CNTRSHFT-W/REV & 1ST | 4303619                      | 2    |                             |                         |
| 4    | X-6-E        | KEY                  |                              | 2    |                             |                         |
| 5    | 62511        | ROLL PIN             |                              | 4    |                             |                         |
| 6    | 4304840      | KEY                  | 19673                        | 2    |                             |                         |
| 7    | 20471        | 2ND GEAR-CNTRSHFT    | 19247                        | 2    |                             |                         |
| 8    | 20482        | 3RD GEAR-CNTRSHFT    | 19615                        | 2    |                             |                         |
| 9    | 4305052      | OD GEAR-CNTRSHFT     | 4302089                      | 2    |                             |                         |
| 10   | 15953        | PTO GEAR - LOWER     |                              | 1    |                             |                         |
| 10   | 20840        | PTO GEAR - UPPER     | 15952                        | 1    |                             |                         |
| 11   | 21020        | DRIVE GEAR-CNTRSHFT  | 19240 ,19243 ,20392 ,4302087 | 2    |                             |                         |
| 12   | 19198        | SNAP RING            |                              | 2    |                             |                         |
| 13   | 4304599      | BEARING              | 4302677 4304598              | 2    |                             | K-3519 ,K-3522          |
| 14   | 4304605      | RETAINER             | 19548                        | 2    | ROLL PIN NO LONGER REQUIRED |                         |
| 15   | X-7-1005     | CAPSCREW             |                              | 2    | 5/8"-18X1-3/4"              |                         |

Group: FILTER REGULATOR



10131-12-93

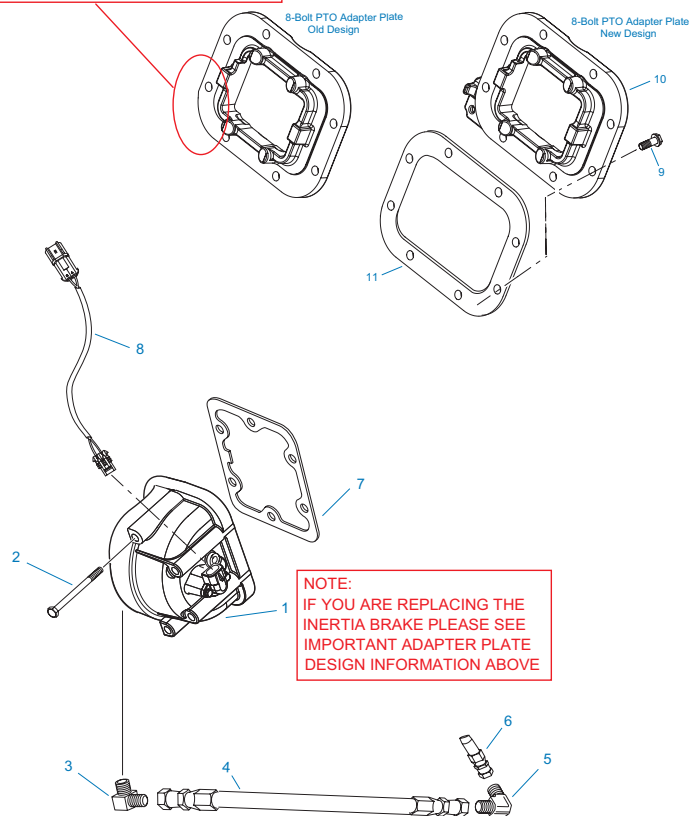
NSS - Not Sold Separately

## FILTER REGULATOR

| Item | Current Part | Description          | Replaced Part | Qty. | Notes                | Kits/Assys Where Needed |
|------|--------------|----------------------|---------------|------|----------------------|-------------------------|
| 1    | K-2170       | FILTER REG KIT       | A - 5454      | 1    |                      |                         |
| 2    | K-1698       | -O- RING/ELEMENT KIT |               | 1    | FOR FILTER REGULATOR |                         |
| 3    | X-8C-412     | CAPSCREW             | X 8S 412      | 2    | 1/4"-20X2-1/4"       |                         |
| 4    | 15114        | -O- RING             |               | 2    |                      | K-2170 ,K-3365          |
| 5    | X-12-208     | PIPE PLUG            |               | 3    | 1/8" NPT             | K-2170 ,K-3365          |

Group: INERTIA BRAKE

**NOTE:**  
IF YOU ARE REPLACING THE INERTIA BRAKE AND THE ADAPTER PLATE LOOKS LIKE THIS YOU WILL ALSO NEED TO ORDER ITEM #10

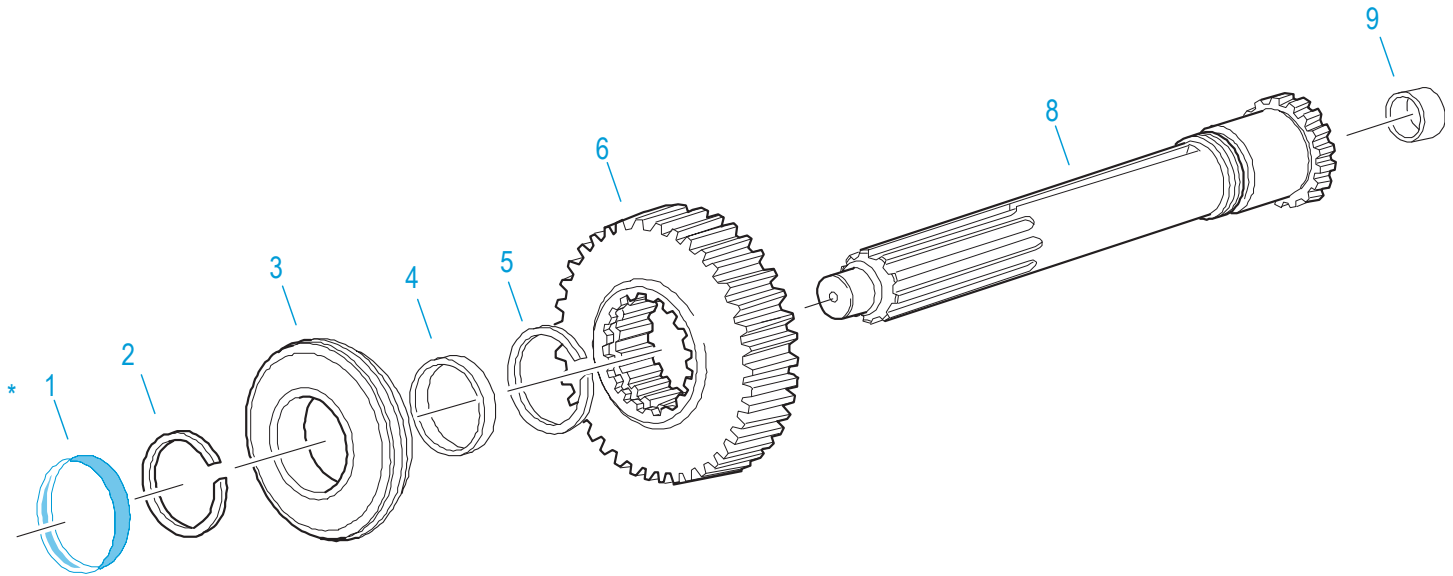


20427-03-03

## INERTIA BRAKE

| Item | Current Part | Description              | Replaced Part    | Qty. | Notes   | Kits/Assys Where Needed |
|------|--------------|--------------------------|------------------|------|---|-------------------------|
| 1    | K-3637       | INERTIA BRAKE KIT        | A - 7452         | 1    | PLEASE SEE IMPORTANT SERVICE INFORMATION INDICATED ON ILLUSTRATION. |                         |
| 2    | X-8-6116     | HEX FLANGE HEAD SCREW    |                  | 6    | 3/8"-16X4.25  |                         |
| 3    | 691603       | CONN 3/8 PIPE T03/4 16   |                  | 1    |   |                         |
| 4    | 5588208      | OIL HOSE ASSEMBLY        |                  | 1    | FOR USE WITH 4302218 CASE   |                         |
| 4    | 5588210      | OIL HOSE ASSEMBLY        |                  | 1    | FOR USE WITH 4305765 CASE   |                         |
| 5    | 691651       | ELBOW, 90 DEG MALE       |                  | 1    |   |                         |
| 6    | 4305714      | FILTER FITTING           |                  | 1    | FOR USE WITH 4305765 CASE   |                         |
| 6    | 691517       | FILTER FITTING           |                  | 1    | FOR USE WITH 4302218 CASE   |                         |
| 7    | 4305309      | GASKET                   | 1684             | 1    |   | K-3518 ,K-3637 ,K-3644  |
| 8    | 691703       | INT BRAKE JUMPER HARNESS |                  | 1    |   |                         |
| 9    | X-8C-722     | CAPSCREW                 |                  | 8    | 7/16-14X1-1/4   | K-3644                  |
| 10   | K-3644       | INERTIA BRK ADPT PLT KIT | 4305450 ,4305732 | 1    |   |                         |
| 11   | 4305310      | GASKET                   | 4302810          | 1    |   | K-3518 ,K-3637 ,K-3644  |

Group: INPUT SHAFT & DRIVE GEAR



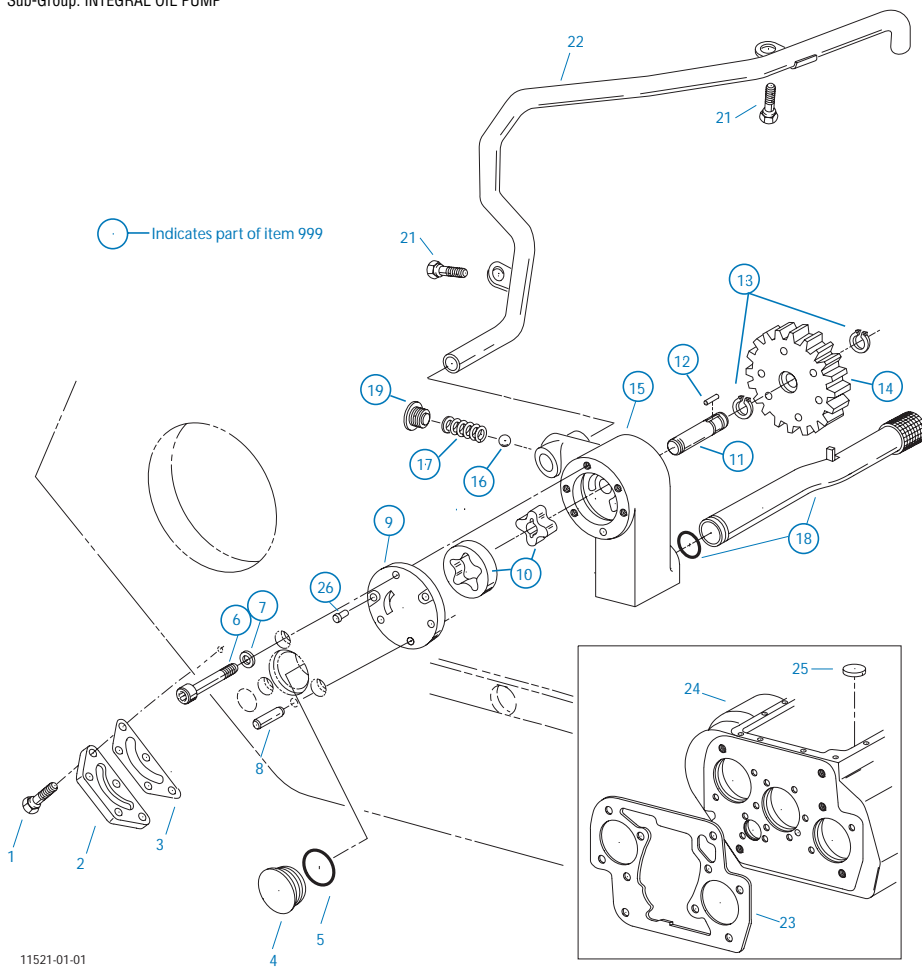
\* For Shipping Only Do Not Replace

10370-1/92 IS

### INPUT SHAFT & DRIVE GEAR

| Item | Current Part | Description     | Replaced Part        | Qty. | Notes                | Kits/Assys Where Needed |
|------|--------------|-----------------|----------------------|------|----------------------|-------------------------|
| 1    | 23559        | SHIPPING SEAL   |                      | 1    | NOT SOLD FOR SERVICE |                         |
| 2    | 16980        | SNAP RING       |                      | 1    |                      | K-3519                  |
| 3    | 81504        | BEARING         |                      | 1    |                      | K-3519 ,K-3522          |
| 4    | 16463        | SPACER          |                      | 1    |                      |                         |
| 5    | 14750        | SNAP RING       |                      | 1    |                      | K-3519 ,K-3522          |
| 6    | 22028        | MAIN DRIVE GEAR | 22030 ,4302086       | 1    |                      |                         |
| 8    | S-1659       | INPUT SHAFT     | 20535 23566 ,4302661 | 1    | USE W/FBC 20550      | K-3519                  |
| 9    | 16566        | BUSHING         |                      | 1    |                      | K-3522 ,S-1659          |

Group: INTEGRAL PUMP & COOLER  
 Sub-Group: INTEGRAL OIL PUMP



## INTEGRAL PUMP & COOLER

### INTEGRAL OIL PUMP

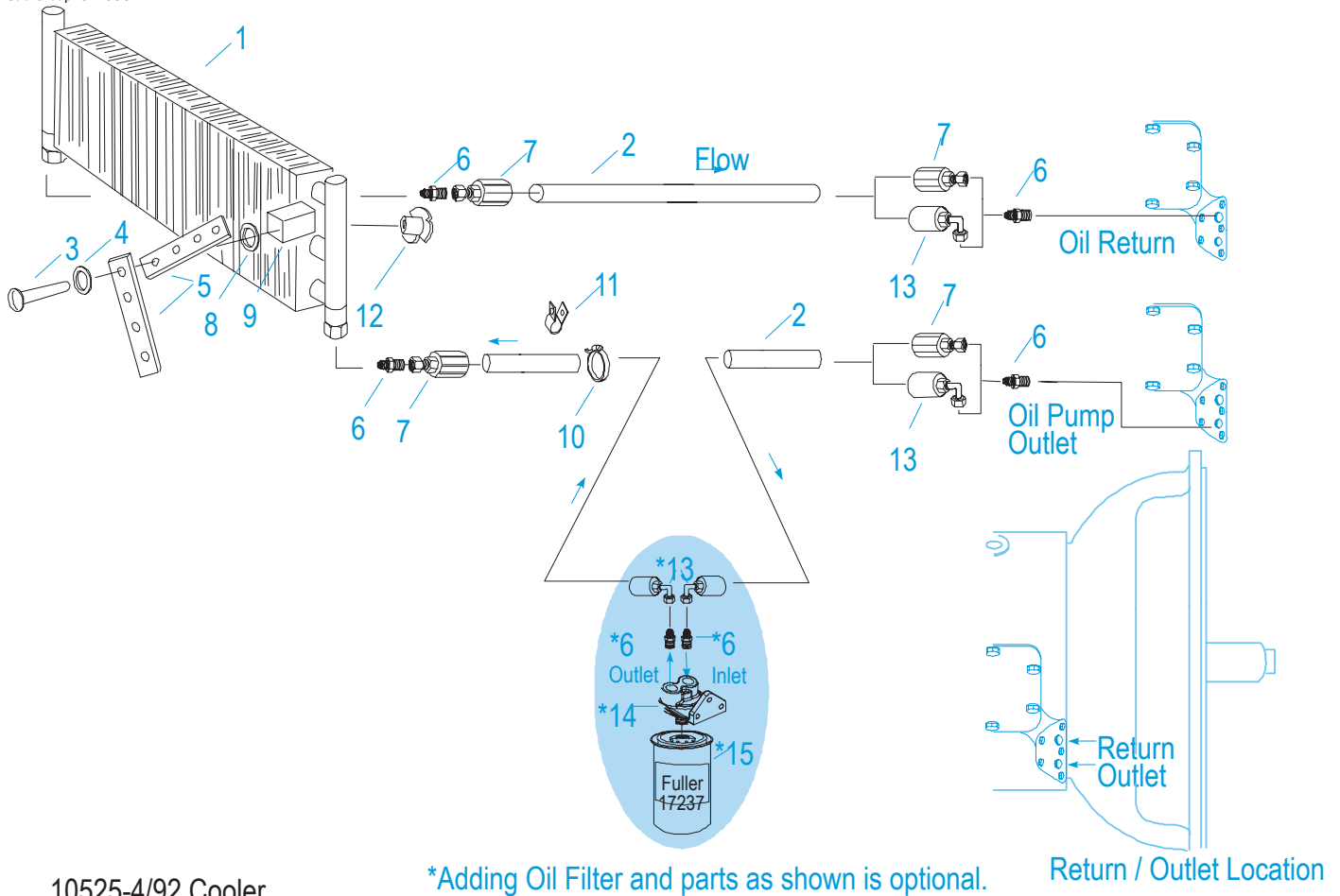
| Item | Current Part | Description       | Replaced Part  | Qty. | Notes          | Kits/Assys Where Needed        |
|------|--------------|-------------------|--|------|----------------|--------------------------------|
| 1    | X-8C-409     | CAPSCREW          |  | 5    | 1/4"-20X5/8"   | K-2402 ,K-3231 ,S-2905 ,S-2927 |
| 2    | K-2402       | COVER & SCREW KIT | 20513 ,4300751   | 1    |                |                                |
| 3    | 20514        | GASKET            |  | 1    |                | K-2402                         |
| 4    | 20823        | PLUG              |  | 1    |                |                                |
| 5    | 14765        | -O- RING          |  | 1    |                | K-3484                         |
| 6    | X-8-448      | SCREW             | X 8 445  | 3    | 1/4"-20X1-1/4" |                                |
| 7    | 20824        | WASHER            |  | 3    |                | K-3367                         |
| 8    | 20825        | DOWEL PIN         |  | 1    |                |                                |
| 9    | 4303773      | RETAINER          |  | 1    |                |                                |
| 10   | K-3367       | OIL PUMP KIT      | 4301829 ,4301948 ,4303776 ,4304529 ,4304572 A - 6963 ,A - 7173 | 1    |                |                                |
| 11   | K-3367       | OIL PUMP KIT      | 4301829 ,4301948 ,4303776 ,4304529 ,4304572 A - 6963 ,A - 7173 | 1    |                |                                |
| 12   | 20509        | KEY               |  | 1    |                |                                |
| 13   | 14853        | SNAP RING         |  | 2    |                |                                |
| 14   | 4303774      | PUMP DRIVE GEAR   | 4304880  | 1    |                |                                |
| 15   | K-3367       | OIL PUMP KIT      | 4301829 ,4301948 ,4303776 ,4304529 ,4304572 A - 6963 ,A -      | 1    |                |                                |

RTO-16910B-DM2

| Item | Current Part | Description        | Replaced Part   | Qty. | Notes  | Kits/Assys Where Needed |
|------|--------------|--------------------|---|------|--|-------------------------|
| 16   | X-14-700     | STEEL BALL         | 7173  | 1    | 7/16"  |                         |
| 17   | 4303775      | SPRING             |   | 1    |  |                         |
| 18   | 4305713      | SUCTION TUBE       | 4304628   | 1    |  | K-3367                  |
| 19   | 4304629      | PLUG               |   | 1    |  |                         |
| 21   | X-8-686      | CAPSCREW           |   | 2    | 3/8"-16X3/4"   |                         |
| 22   | 4305715      | SPLITTER LUBE TUBE | A - 7197  | 1    |  |                         |
| 23   | 4305668      | GASKET             | 4304815   | 1    |  | K-3518 ,K-3678          |
| 24   | S-2075       | CASE ASSY          | 4302218   | 1    | FOR UNITS BUILT PRIOR TO THE FORCED LUBRICATION DESIGN |                         |
| 24   | S-2995       | CASE ASSY          | 4305765   | 1    | FOR UNITS BUILT WITH THE FORCED LUBRICATION DESIGN     |                         |
| 25   | 14373        | MAGNET             |   | 3    |  | S-2075 ,S-2995          |
| 26   | X-8-447      | SCREW              |   | 2    |  |                         |
| 999  | K-3367       | OIL PUMP KIT       | 4301829 ,4301948<br>,4303776 ,4304529<br>,4304572 A - 6963 ,A -<br>7173 | 1    |  |                         |

# RTO-16910B-DM2

Group: INTEGRAL PUMP & COOLER  
Sub-Group: OIL COOLER



10525-4/92 Cooler

\*Adding Oil Filter and parts as shown is optional.

Return / Outlet Location

## INTEGRAL PUMP & COOLER

### OIL COOLER

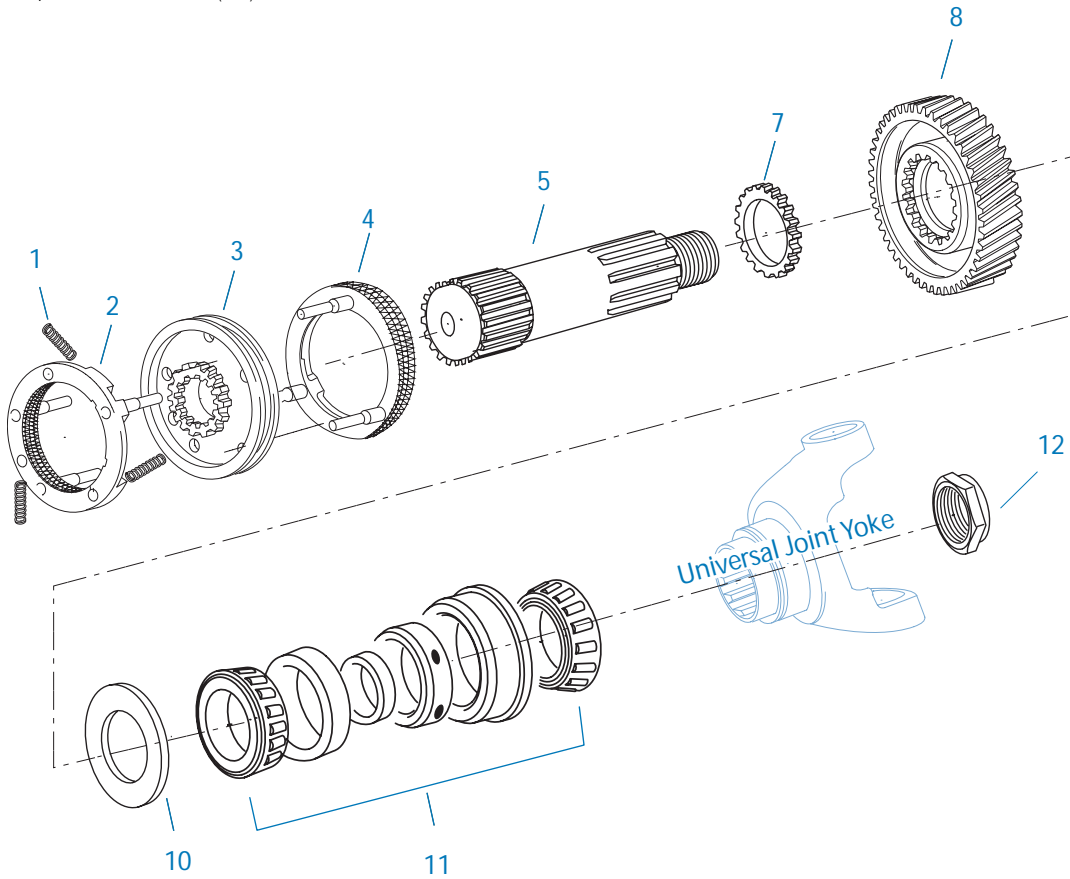
| Item | Current Part | Description       | Replaced Part | Qty. | Notes           | Kits/Assys Where Needed |
|------|--------------|-------------------|---------------|------|-----------------|-------------------------|
| 1    | 18025        | OIL COOLER        |               | 1    |                 | K-1956                  |
| 2    | 19424        | HOSE              |               | 1    | 25 FEET         | K-1956                  |
| 3    | X-8-535      | CAPSCREW          |               | 2    | 5/16"-16X2-1/2" | K-1956                  |
| 4    | X-3-506      | LOCKWASHER        |               | 2    | 5/16"           | K-1956                  |
| 5    | 18211        | BRACKET           |               | 4    |                 | K-1956                  |
| 6    | 19419        | CONNECTOR         |               | 6    |                 | K-1956 ,S-1404          |
| 7    | 19415        | SWIVEL            |               | 4    |                 | K-1956                  |
| 8    | X-10-501     | WASHER            |               | 2    | 5/16"           | K-1956                  |
| 9    | 18209        | PLUG-RUBBER MOUNT |               | 2    |                 | K-1956                  |
| 10   | 17190        | STRAP             |               | 8    |                 | K-1956                  |
| 11   | 19423        | CLAMP             |               | 5    |                 | K-1956                  |
| 12   | 18210        | NUT               |               | 2    |                 | K-1956                  |
| 13   | 19422        | ELBOW             |               | 4    |                 | K-1956                  |
| 14   | S-1404       | OIL FILTER        | 17238         | 1    |                 |                         |
| 15   | 17237        | FILTER ELEMENT    |               | 1    |                 | S-1404                  |

## KITS &amp; ASSEMBLIES

| Item | Current Part | Description              | Replaced Part  | Qty. | Notes  | Kits/Assys Where Needed |
|------|--------------|--------------------------|--|------|--|-------------------------|
|      | K-3519       | BASIC OVERHAUL KIT       |  | 1    |  |                         |
|      | K-3522       | BASIC REBUILD KIT        |  | 1    |  |                         |
|      | S-2995       | CASE ASSY                | 4305765  | 1    | FOR UNITS BUILT WITH THE FORCED LUBRICATION SYSTEM DESIGN                            |                         |
|      | S-2075       | CASE ASSY                | 4302218  | 1    | FOR USE W/INTEGRAL PUMP ON UNITS BUILT PRIOR TO THE FORCED LUBRICATION SYSTEM DESIGN |                         |
|      | K-3643       | CLUTCH HOUSING COVER KIT | 691954   | 1    |  |                         |
|      | K-3680       | COBRA SHIFT LEVER KIT    | A - 7181   | 1    |  |                         |
|      | K-1956       | COOLER INSTLN KIT        |  | 1    |  |                         |
|      | K-2402       | COVER & SCREW KIT        | 20513 ,4300751   | 1    |  |                         |
|      | K-2170       | FILTER REG KIT           | A - 5454   | 1    |  |                         |
|      | K-3678       | FORCED LUBE CL HSG KIT   | 4304328  | 1    | #1 PULL ALUMINUM   |                         |
|      | K-3518       | GASKET KIT               |  | 1    |  | K-3519 ,K-3522          |
|      | K-3637       | INERTIA BRAKE KIT        | A - 7452   | 1    |  |                         |
|      | K-3644       | INERTIA BRK ADPT PLT KIT | 4305450 ,4305732   | 1    |  |                         |
|      | S-1659       | INPUT SHAFT              | 20535 23566 ,4302661   | 1    | 2" PULL - USE W/FBC 20550  | K-3519                  |
|      | S-2688       | MAINSHAFT ASSY           | 4303404 ,4303913   | 1    |  |                         |
|      | K-2908       | -O- RING KIT             |  | 1    | FOR SOLENOID VALVE   |                         |
|      | K-1698       | -O- RING/ELEMENT KIT     |  | 1    | FOR FILTER REGULATOR   |                         |
|      | S-1404       | OIL FILTER               | 17238  | 1    |  |                         |
|      | K-3367       | OIL PUMP KIT             | 4301829 ,4301948<br>,4303776 ,4304529<br>,4304572 A - 6963 ,A - 7173 | 1    |  |                         |
|      | K-2918       | OIL SEAL KIT             | 4302322 4302323  | 1    |  | K-3519 ,K-3522          |
|      | K-3484       | O-RING KIT - RANGE       |  | 1    |  | K-3519 ,K-3522          |
|      | K-3438       | POSITION SENSOR KIT      | 691551 ,691926   | 1    |  |                         |
|      | S-2990       | PUSHBUTTON ASSEMBLY      |  | 1    |  |                         |
|      | S-2989       | PUSHBUTTON ASSEMBLY      | S - 2985   | 1    |  |                         |
|      | K-3365       | RANGE CYL COVER KIT      | 691442   | 1    |  |                         |
|      | S-2956       | RANGE SECTION ASSY       |  | 1    |  |                         |
|      | K-3682       | RANGE VALVE KIT          | 5561801 ,5561804 ,K - 2907   | 1    |  |                         |
|      | S-2913       | REAR BEARING COVER ASSY  | 691637 ,4304651  | 1    |  |                         |
|      | K-3494       | REPL KIT-SLIDING CLUTCH  | K - 2448   | 1    |  |                         |
|      | S-2905       | SHIFT BAR HOUSING ASSY   | 691532   | 1    | COMPLETE - FOR UNITS BUILT PRIOR TO THE FORCED LUBRICATION SYSTEM DESIGN             |                         |
|      | S-2915       | SHIFT BAR HOUSING ASSY   | 691532   | 1    | HOUSING ONLY (DOES NOT INCLUDE SPEED SENSORS)  |                         |
|      | S-2927       | SHIFT BAR HOUSING ASSY   | 691532   | 1    | COMPLETE - FOR UNITS BUILT WITH THE FORCED LUBRICATION SYSTEM DESIGN                 |                         |
|      | K-2805       | SHIM KIT                 | 21452 K - 2106   | 1    |  | K-3519 ,K-3522 ,S-2956  |
|      | K-3231       | SPEED SENSOR KIT         | A - 6398 ,A - 6724   | 1    | SINGLE PICK-UP (2 PIN)   |                         |
|      | K-3523       | SPEEDO PLUG KIT          | 4302707  | 1    |  |                         |
|      | S-2501       | SPEEDO ROTOR ASSY        | 4302242  | 1    | MAGNETIC   |                         |
|      | K-3492       | SYNCHRONIZER KIT         | K - 2446   | 1    |  |                         |
|      | K-3639       | TRANS CONTROLLER KIT     |  | 1    |  |                         |
|      | K-3527       | TRANSMISSION HARNESS KIT | 691664   | 1    |  |                         |
|      | K-3436       | XY SHIFTER KIT           | 691381 ,A - 7034   | 1    |  |                         |

# RTO-16910B-DM2

Group: MAINSHAFT & SYNCHRO(AUX)

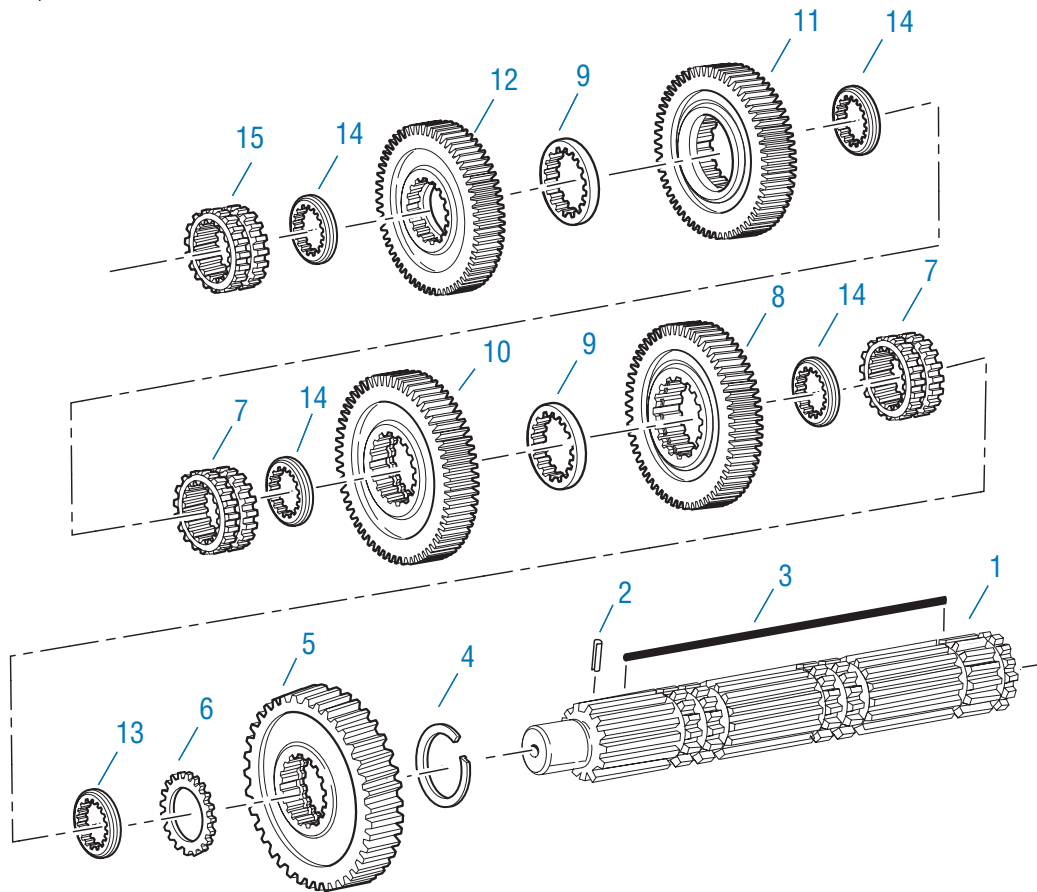


10421A-10-01

## MAINSHAFT & SYNCHRO(AUX)

| Item | Current Part | Description           | Replaced Part            | Qty. | Notes    | Kits/Assys Where Needed        |
|------|--------------|-----------------------|--------------------------|------|----------|--------------------------------|
| 1    | 14897        | SPRING                |                          | 3    |          | K-3492 ,K-3494 ,K-3519 ,K-3522 |
| 2    | A-7331       | SYNCHRONIZER ASSY     | 4304396 4304397 A - 5917 | 1    | HI RANGE | K-3492 ,K-3494                 |
| 3    | 20323        | SLIDING CLUTCH        |                          | 1    |          | K-3494                         |
| 4    | A-7254       | SYNCHRONIZER ASSEMBLY | A - 4937 A - 5876        | 1    | LO RANGE | K-3492 ,K-3494                 |
| 5    | 4302276      | AUXILIARY MAINSHAFT   |                          | 1    |          |                                |
| 7    | 22899        | WASHER                |                          | 1    |          |                                |
| 8    | 4302092      | REDUCTION GEAR        | 23661                    | 1    |          |                                |
| 10   | 22898        | SPACER                |                          | 1    |          |                                |
| 11   | 5556503      | BEARING               |                          | 1    |          | K-3519 ,K-3522                 |
| 12   | 4302321      | NUT                   |                          | 1    |          |                                |

Group: MAINSHAFT ASSY



10337B-10-96

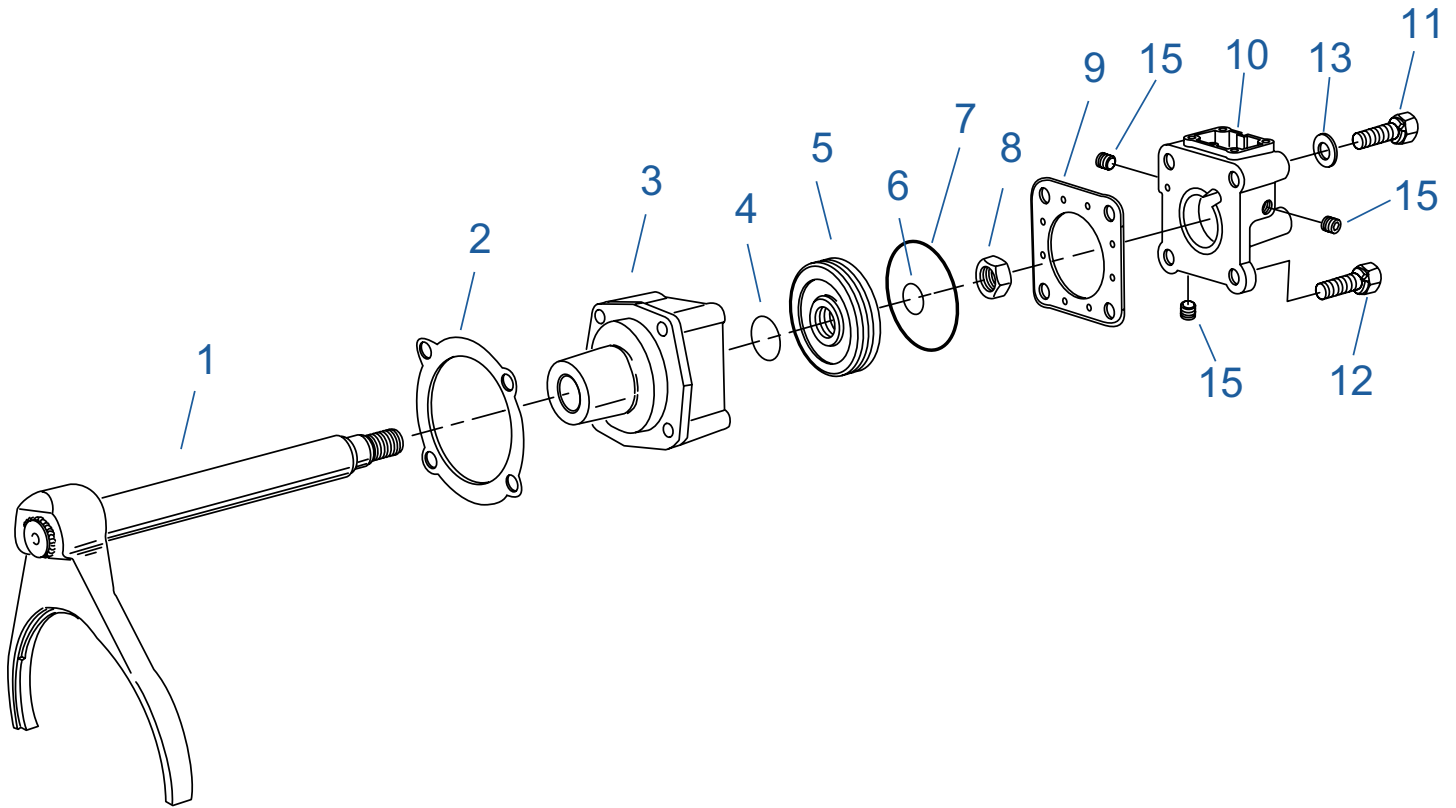
**MAINSHAFT ASSY**

| Item | Current Part | Description            | Replaced Part    | Qty. | Notes | Kits/Assys Where Needed |
|------|--------------|------------------------|------------------|------|-------|-------------------------|
| 1    | S-2688       | MAINSHAFT ASSY         | 4303404 ,4303913 | 1    |       |                         |
| 2    | 62504        | ROLL PIN               |                  | 1    |       | S-2688                  |
| 3    | 4304614      | 3-SIDED KEY            | 4300890          | 1    |       |                         |
| 4    | 14750        | SNAP RING              |                  | 1    |       | K-3519 ,K-3522          |
| 5    | 23653        | REVERSE GEAR-MAINSHAFT |                  | 1    |       |                         |
| 6    | 14749        | SPACER                 |                  | 1    |       |                         |
| 7    | 4301407      | SLIDING CLUTCH         |                  | 2    |       |                         |
| 8    | 4303620      | 1ST GEAR-MAINSHAFT     | 4303618          | 1    |       |                         |
| 9    | 4303603      | WASHER                 | 4302397          | 2    |       |                         |
| 10   | 4303477      | 2ND GEAR-MAINSHAFT     | 4303414          | 1    |       |                         |
| 11   | 4302384      | 3RD GEAR-MAINSHAFT     | 4302385          | 1    |       |                         |
| 12   | 4302381      | OD GEAR-MAINSHAFT      | 4302382 ,4302383 | 1    |       |                         |
| 13   | 4300830      | WASHER .244-BLUE       |                  | 1    |       |                         |
| 14   | 4302398      | WASHER                 |                  | 4    |       |                         |
| 15   | 691922       | SLIDING CLUTCH         | 23103            | 1    |       | K-3519                  |

**MISCELLANEOUS**

| Item    | Current Part | Description         | Replaced Part | Qty. | Notes                            | Kits/Assys Where Needed |
|---------|--------------|---------------------|---------------|------|----------------------------------|-------------------------|
| 71204   |              | ADHESIVE SEALANT    |               | 1    | 0.5 CC (SINGLE APPLICATION SIZE) |                         |
| 71205   |              | SEALANT             |               | 1    | 2 CC (SINGLE APPLICATION SIZE)   | K-3519                  |
| 5586272 |              | SHIFT DIAGRAM LABEL | 5586268       | 1    |                                  |                         |
| 71203   |              | SILICONE LUBE       |               | 1    | 8 OZ (236.59 CC)-FLEET SIZE      |                         |
| 71206   |              | SILICONE LUBE       |               | 1    | 4 CC (SINGLE APPLICATION SIZE)   | K-3484                  |

Group: RANGE CYLINDER

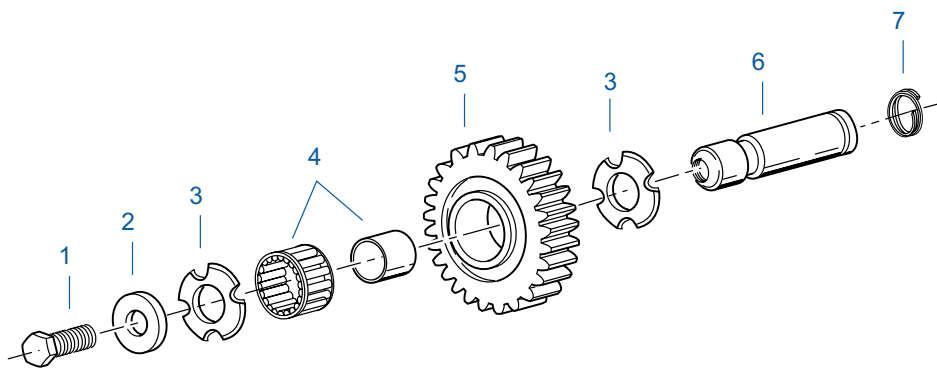
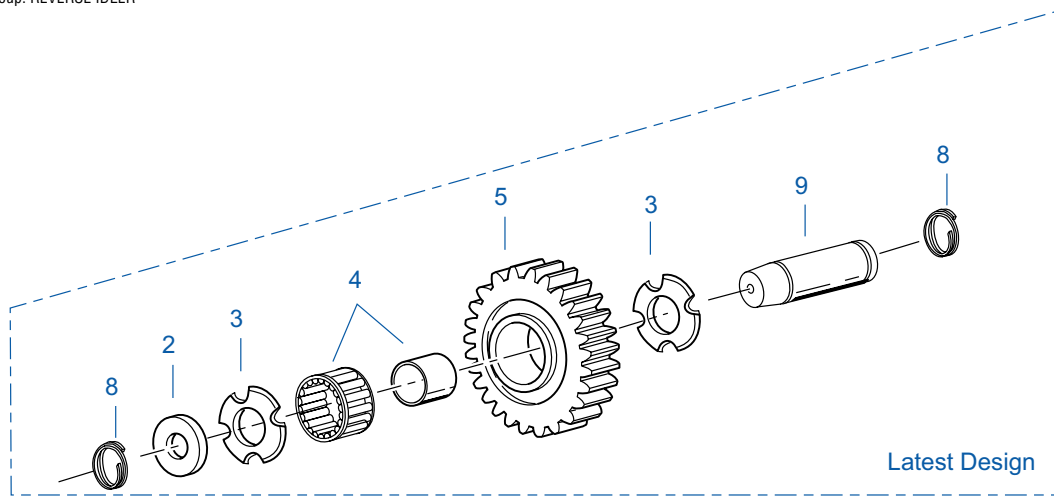


20539-03-01

**RANGE CYLINDER**

| Item | Current Part | Description         | Replaced Part | Qty. | Notes          | Kits/Assys Where Needed |
|------|--------------|---------------------|---------------|------|----------------|-------------------------|
| 1    | A-5474       | SHIFT YOKE ASSY     |               | 1    |                |                         |
| 2    | 14347        | GASKET              |               | 1    |                | K-3518                  |
| 3    | 691348       | RANGE CYLINDER      |               | 1    |                |                         |
| 4    | 14765        | -O- RING            |               | 1    |                | K-3484                  |
| 5    | 14341        | PISTON              | 23353         | 1    |                |                         |
| 6    | 14345        | -O- RING            |               | 1    |                | K-3484                  |
| 7    | 14344        | -O- RING            |               | 1    |                | K-3484                  |
| 8    | X-1-1010     | NUT                 |               | 1    | 5/8"-18        | K-3484                  |
| 9    | 691955       | GASKET              | 691440        | 1    |                | K-3365 ,K-3484 ,K-3518  |
| 10   | K-3365       | RANGE CYL COVER KIT | 691442        | 1    |                |                         |
| 11   | X-8-647      | CAPSCREW            |               | 2    | 3/8"-16X4-3/4" |                         |
| 12   | X-8L-605     | CAPSCREW            |               | 2    | 3/8"-16X3"     |                         |
| 13   | X-3-600      | LOCKWASHER          |               | 2    | 3/8"           |                         |
| 15   | X-12-208     | PIPE PLUG           |               | 3    | 1/8" NPT       | K-2170 ,K-3365          |

Group: REVERSE IDLER

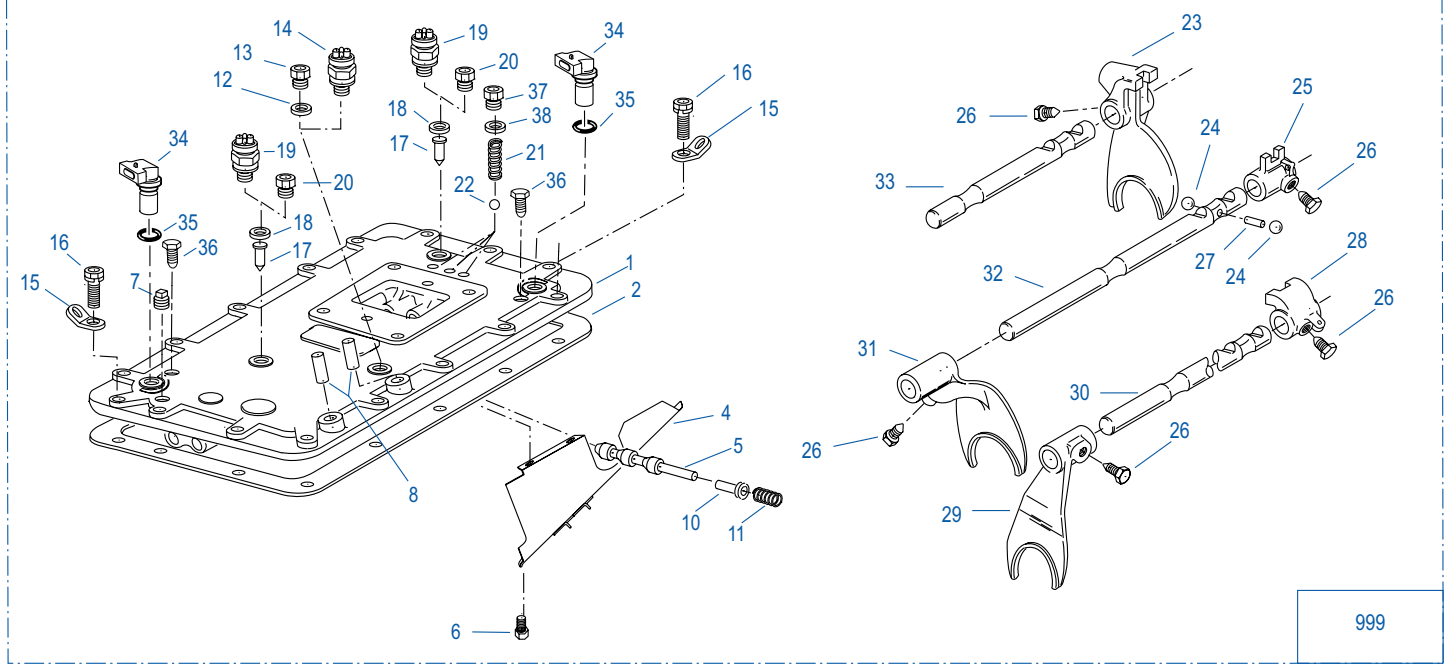


11382-3-97 RI

## REVERSE IDLER

| Item | Current Part | Description          | Replaced Part              | Qty. | Notes         | Kits/Assys Where Needed |
|------|--------------|----------------------|----------------------------|------|---------------|-------------------------|
| 1    | X-7-1008     | CAPSCREW             |                            | 2    | 5/8"-18X1-1/4 |                         |
| 2    | 14283        | IDLER PLATE          |                            | 2    |               |                         |
| 3    | 4302982      | WASHER               | 14282                      | 4    |               | K-3209 ,S-1989 ,S-2996  |
| 4    | 14287        | BEARING              | 4305020                    | 2    |               | K-3519 ,K-3522          |
| 5    | 16757        | REVERSE IDLER GEAR   | 22409                      | 2    |               |                         |
| 6    | K-3209       | IDLER SHAFT REPL KIT | 16405 ,4302981<br>,4305513 | 2    |               |                         |
| 7    | 4303336      | RETAINING RING       |                            | 2    |               | K-3209                  |
| 8    | 4303336      | RETAINING RING       |                            | 4    |               | K-3209                  |
| 9    | 4305513      | IDLER SHAFT          |                            | 2    |               | K-3209                  |

Group: SHIFT BAR HOUSING



20235-03-01

## SHIFT BAR HOUSING

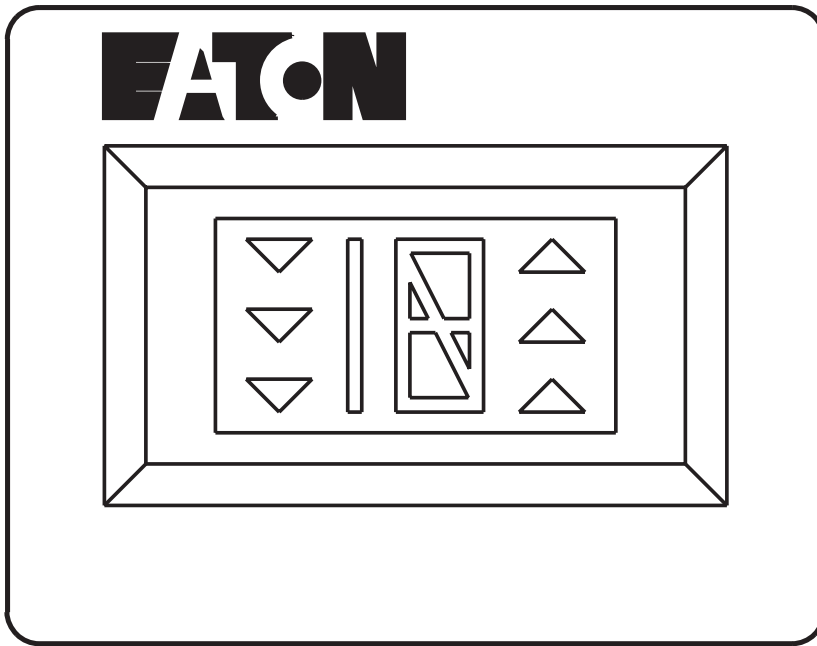
| Item | Current Part | Description            | Replaced Part | Qty. | Notes  | Kits/Assys Where Needed        |
|------|--------------|------------------------|---------------|------|--|--------------------------------|
| 1    | S-2915       | SHIFT BAR HOUSING ASSY | 691532        | 1    | HOUSING ONLY (DOES NOT INCLUDE SPEED SENSORS)                              |                                |
| 2    | 4302676      | GASKET                 | 14918         | 1    |  | K-3518 ,S-2905 ,S-2915 ,S-2927 |
| 4    | 20070        | OIL TROUGH             |               | 1    | WILL CAUSE INTERFERENCE ON UNITS BUILT WITH THE FORCED LUBRICATION SYSTEM. | S-2905                         |
| 5    | 20332        | AIR VALVE SHAFT        | 17177         | 1    |  | S-2905 ,S-2927                 |
| 6    | X-8-423      | CAPSCREW               |               | 2    | NOT TO BE USED ON UNITS BUILT WITH THE FORCED LUBRICATION SYSTEM.          | S-2905                         |
| 7    | X-12-603     | PIPE PLUG              | X12 602       | 1    |  | S-2905 ,S-2927                 |
| 8    | 4301378      | DOWEL PIN              |               | 2    |  | S-2905 ,S-2927                 |
| 10   | 21966        | PLUNGER                |               | 1    |  |                                |
| 11   | 4301372      | SPRING                 |               | 1    |  |                                |
| 12   | 17179        | GASKET                 |               | 1    |  | S-2905 ,S-2915 ,S-2927         |
| 13   | 4303655      | PLUG                   | 17178         | 1    |  | S-2905 ,S-2915 ,S-2927         |
| 14   | 22941        | NEUTRAL LIGHT SWITCH   | 12639         | 1    | SWITCH NORMALLY CLOSED   |                                |
| 15   | 20815        | LIFTING EYE            | 17105         | 2    |  | S-2956                         |
| 16   | X-8L-602     | CAPSCREW               |               | 2    | 3/8"-16X1-1/2"   |                                |
| 16   | X-8L-604     | CAPSCREW               |               | 16   | 3/8"-16X1-1/4"- OR USE 14 PCS OF X-8L-604 WITH 2 PCS OF X-8L-602           |                                |
| 17   | 15899        | PIN                    |               | 2    |  |                                |
| 18   | 15900        | GASKET                 |               | 2    |  | S-2905 ,S-2915 ,S-2927         |
| 19   | 22940        | REVERSE LIGHT SWITCH   | 16830         | 1    | SWITCH NORMALLY OPEN   |                                |
| 20   | 4303656      | PLUG                   | 15917         | 2    |  | S-2905 ,S-2915 ,S-2927         |
| 21   | 691661       | COMPRESSION SPRING     |               | 3    |  | S-2905 ,S-2927                 |
| 22   | X-14-800     | STEEL BALL             |               | 3    | 1/2"   | S-2905 ,S-2927                 |
| 23   | 691712       | SHIFT YOKE             | 4301376       | 1    | REVERSE/1ST  | S-2905 ,S-2927                 |
| 24   | X-14-1200    | STEEL BALL             |               | 2    | 3/4"   | S-2905 ,S-2927                 |
| 25   | 14658        | SHIFT BLOCK            |               | 1    | 2ND/3RD  | S-2905 ,S-2927                 |
| 26   | 3220         | LOCKSCREW              |               | 5    |  | S-2905 ,S-2927                 |
| 27   | 1634         | INTERLOCK PIN          |               | 1    |  | S-2905 ,S-2927                 |
| 28   | 14659        | SHIFT BLOCK            |               | 1    | 4TH/5TH  | S-2905 ,S-2927                 |
| 29   | 691601       | SHIFT YOKE             | 4302212       | 1    | 4TH/5TH  | S-2905 ,S-2927                 |
| 30   | 4301366      | YOKE BAR               |               | 1    | 4TH/5TH  | S-2905 ,S-2927                 |
| 31   | 691600       | SHIFT YOKE             | 4302994       | 1    | 2ND/3RD  | S-2905 ,S-2927                 |
| 32   | 4301365      | YOKE BAR               |               | 1    | 2ND/3RD  | S-2905 ,S-2927                 |

## RTO-16910B-DM2

| Item | Current Part | Description            | Replaced Part      | Qty. | Notes  | Kits/Assys Where Needed        |
|------|--------------|------------------------|--------------------|------|--|--------------------------------|
| 33   | 4301364      | YOKE BAR               |                    | 1    | REVERSE/1ST  | S-2905 ,S-2927                 |
| 34   | K-3231       | SPEED SENSOR KIT       | A - 6398 ,A - 6724 | 2    | SINGLE PICK-UP (2 PIN)   |                                |
| 35   | 14142        | -O- RING               |                    | 2    |  | S-2905 ,S-2927                 |
| 36   | X-8C-409     | CAPSCREW               |                    | 2    | 1/4"-20X5/8"   | K-2402 ,K-3231 ,S-2905 ,S-2927 |
| 37   | 4303656      | PLUG                   | 15917              | 3    |  | S-2905 ,S-2915 ,S-2927         |
| 38   | 15900        | GASKET                 |                    | 3    |  | S-2905 ,S-2915 ,S-2927         |
| 999  | S-2927       | SHIFT BAR HOUSING ASSY | 691532             | 1    | COMPLETE - FOR UNITS BUILT WITH THE FORCED LUBRICATION SYSTEM DESIGN     |                                |
| 999  | S-2905       | SHIFT BAR HOUSING ASSY | 691532             | 1    | COMPLETE - FOR UNITS BUILT PRIOR TO THE FORCED LUBRICATION SYSTEM DESIGN |                                |

Group: SHIFT CONTROLS  
 Sub-Group: GEAR DISPLAY MODULE

1



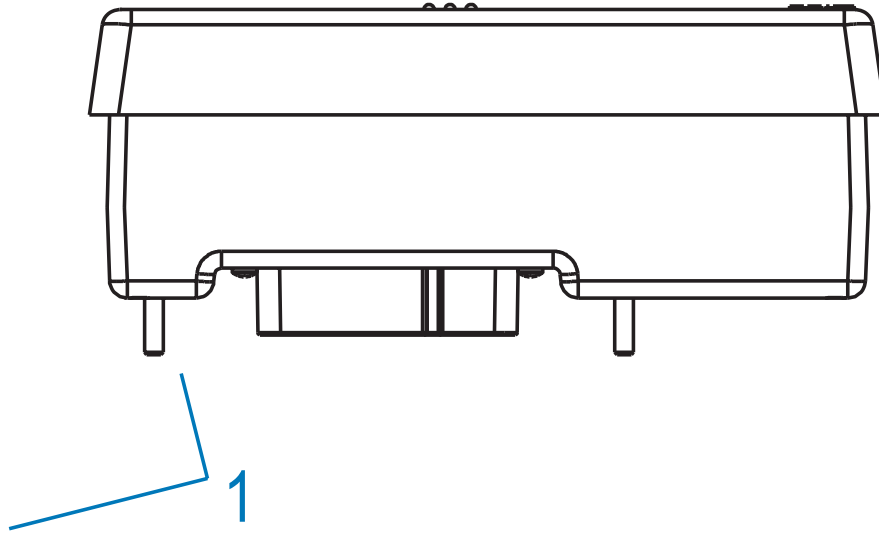
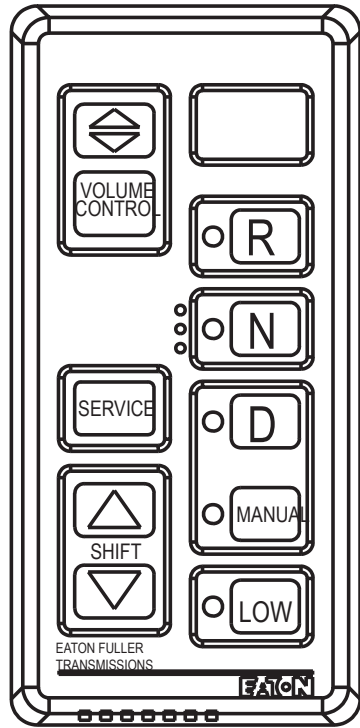
30317-03-01

**SHIFT CONTROLS**

**GEAR DISPLAY MODULE**

| Item | Current Part | Description           | Replaced Part | Qty. | Notes | Kits/Assys Where Needed |
|------|--------------|-----------------------|---------------|------|-------|-------------------------|
| 1    | 4302640      | DRIVER DISPLAY MODULE |               | 1    |       |                         |

Group: SHIFT CONTROLS  
 Sub-Group: SHIFT CONTROLS



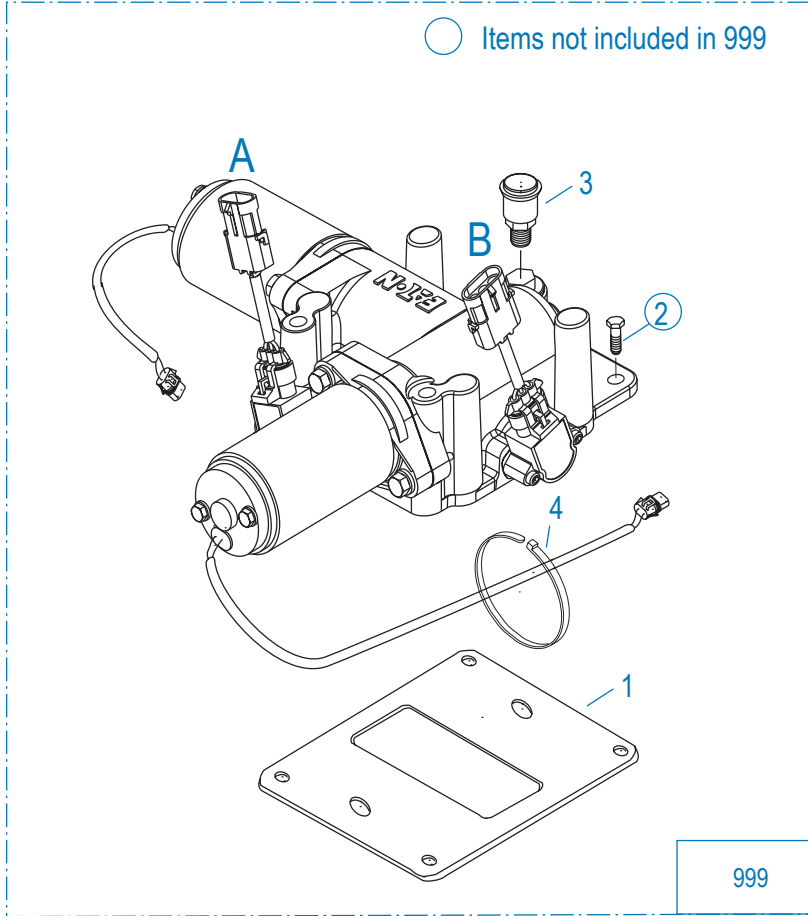
20318-03-01

**SHIFT CONTROLS**

**SHIFT CONTROLS**

| Item | Current Part | Description         | Replaced Part | Qty. | Notes | Kits/Assys Where Needed |
|------|--------------|---------------------|---------------|------|-------|-------------------------|
| 1    | S-2989       | PUSHBUTTON ASSEMBLY | S - 2985      | 1    |       |                         |
| 1    | S-2990       | PUSHBUTTON ASSEMBLY |               | 1    |       |                         |

Group: X-Y SHIFTER MODULE



20229-03-01

### X-Y SHIFTER MODULE

| Item | Current Part | Description         | Replaced Part    | Qty. | Notes    | Kits/Assys Where Needed |
|------|--------------|---------------------|------------------|------|----------|-------------------------|
| 1    | 4305452      | GASKET              | 4301958          | 1    |          | K-3436                  |
| 2    | X-8C-615     | CAPSCREW            |                  | 4    |          |                         |
| 3    | 4304602      | BREATHER            | 23605            | 1    | 1/4" NPT |                         |
| 4    | 5559348      | TY-RAP              |                  | 2    |          | K-3527 ,K-3682          |
| 5    | K-3438       | POSITION SENSOR KIT | 691551 ,691926   | 2    |          |                         |
| 999  | K-3436       | XY SHIFTER KIT      | 691381 ,A - 7034 | 1    |          |                         |

Appendix



Air Line Tubing

Choosing nylon tubing for air lines

Use the following chart to specify the Eaton® Fuller® nylon tube appropriate to your vehicle's air system.

| <b>5/32" Air Line and Harness Combinations</b> |                           |                |        |
|--|---------------------------|----------------|--------|
| Line Type                                      | Line Color                | Order Part No# | Length |
| Supply + Port                                  | Red (S) + Black (P)       | 52601          | 50 ft  |
| Splitter + Deep Reduction                      | Blue (SP) + Green (H/L)   | 52701          | 50 ft  |
| Supply + Splitter + Port                       | Red(S)+Blue(SP)+ Black(P) | 74601          | 50 ft  |

| <b>5/32" Air Lines</b> |             |                |        |
|------------------------|-------------|----------------|--------|
| Line Type              | Line Color  | Order Part No# | Length |
| Supply                 | Red (S)     | 75120          | 50 ft  |
| Port                   | Black (P)   | 75320          | 50 ft  |
| Splitter               | Blue (SP)   | 75720          | 50 ft  |
| Deep Reduction         | Green (H/L) | 75520          | 50 ft  |
| Sheathing              |             | 80120          | 50 ft  |

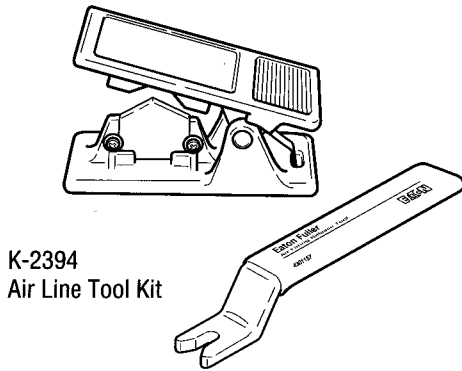
  

| <b>1/8" Air Lines</b> |            |                |        |
|-----------------------|------------|----------------|--------|
| Line Type             | Line Color | Order Part No# | Length |
| Supply                | White      | 68526          | 50 ft  |
| Port                  | Black      | 82013          | 50 ft  |
| Sheathing             |            | 80000          | 50 ft  |

10650-1/92 AL Chart

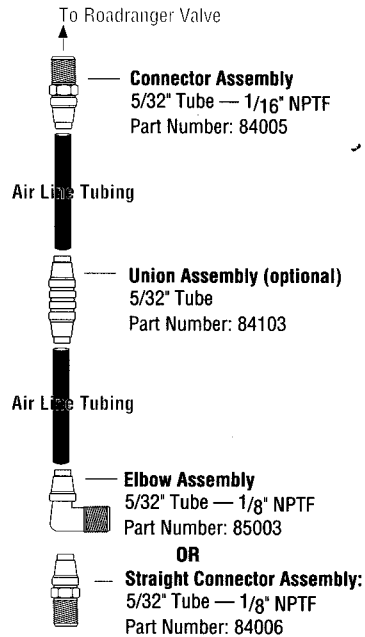
## Identifying fittings

Fittings are available in 5/32" and 1/8" sizes as appropriate for vehicle air line sizes. 5/32" fittings are available as 'push to connect' or compression fittings. 1/8" fittings are available as compression fittings.

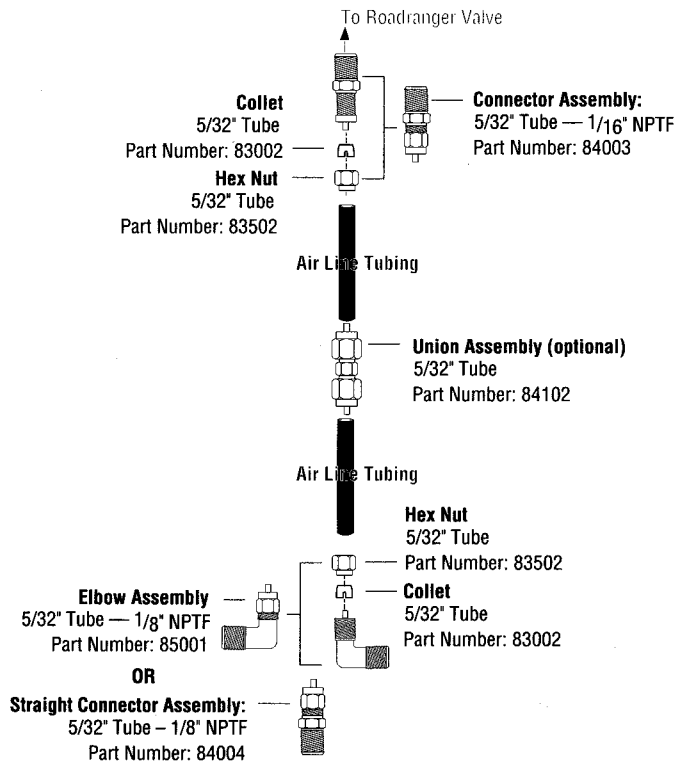


K-2394  
Air Line Tool Kit

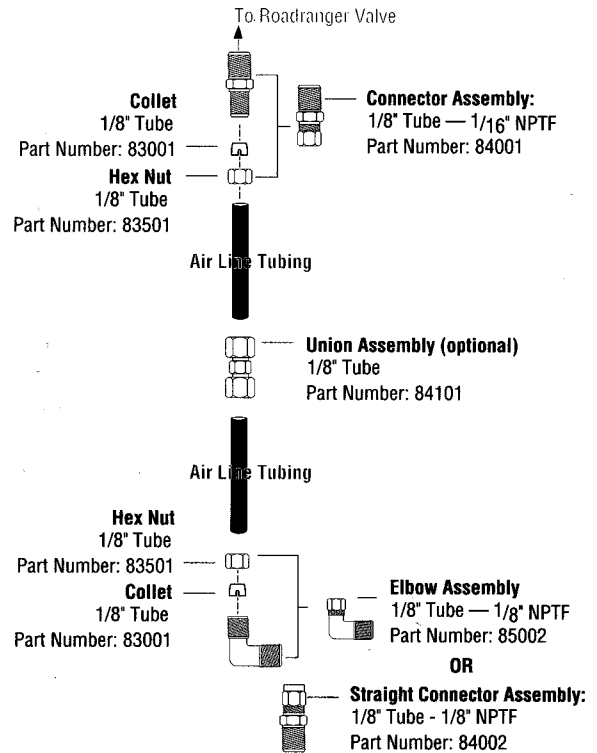
### 5/32" 'Push-to-Connect' Fittings

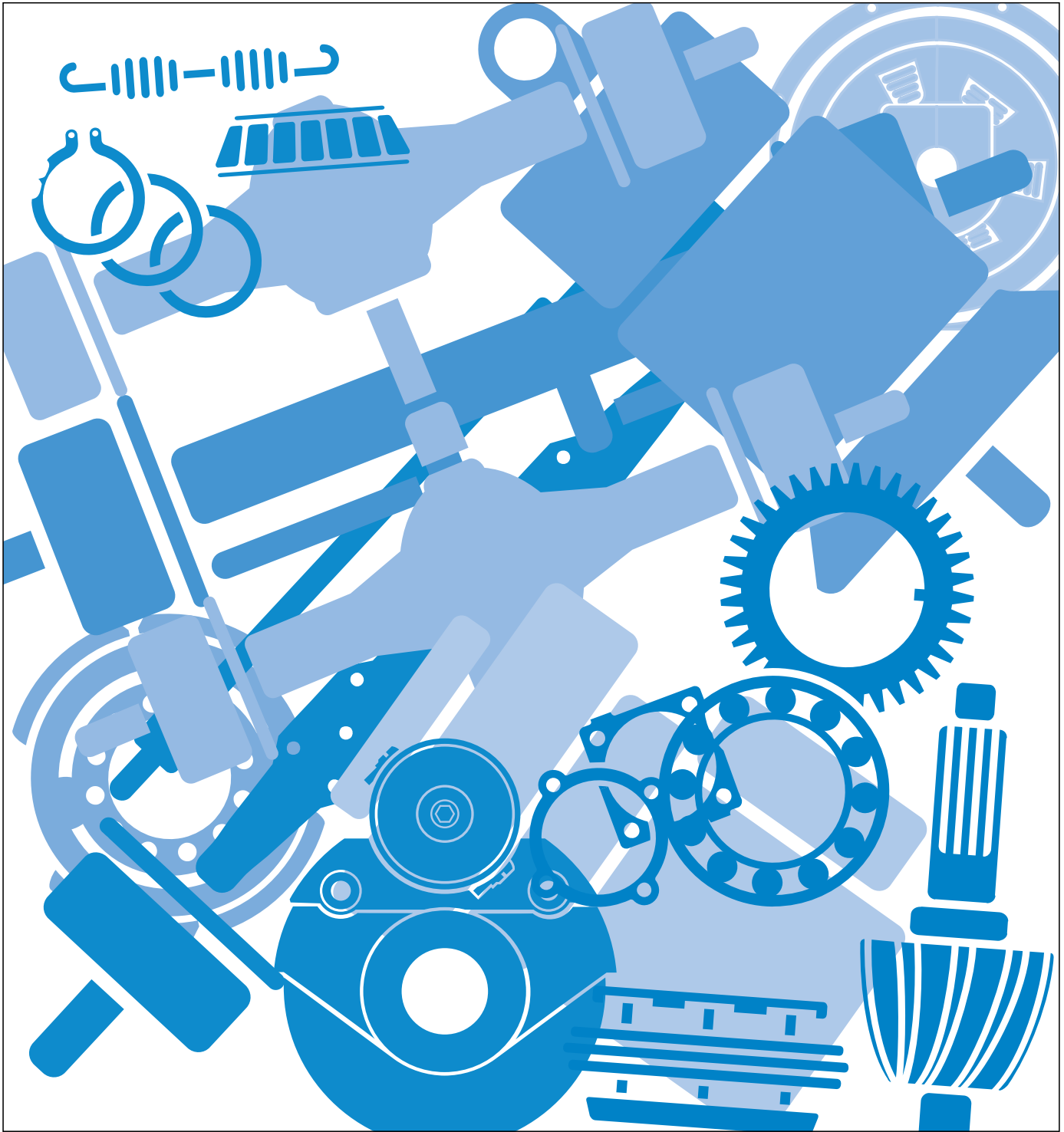


### 5/32" Compression Fittings



### 1/8" Compression Fittings





Copyright Eaton and Dana Corporation, 2002. EATON AND DANA CORPORATION hereby grants its customers, vendors, or distributors permission to freely copy, reproduce and/or distribute this document in printed format. THIS INFORMATION IS NOT INTENDED FOR SALE OR RE-SALE, AND THIS NOTICE MUST REMAIN ON ALL COPIES.



National Institute for  
**AUTOMOTIVE  
SERVICE  
EXCELLENCE**

## Roadranger®

**MORE TIME ON THE ROAD.**

The Roadranger® System is an unbeatable combination of the best products from Eaton and Dana – partnering to provide you the most advanced, most trouble-free drivetrain in the industry. And it's backed by the Roadrangers – the most experienced, most expert, most accessible drivetrain consultants in the business.

For spec'ing or service assistance, call 1-800-826-HELP (4357) 24 hours a day, 7 days a week, (Mexico: 001-800-826-HELP (4357)) for more time on the road. Or visit our web site at [www.roadranger.com](http://www.roadranger.com).



One Great Drivetrain from Two Great Companies